



VERSION 0624

**FOR THE PAST
25 YEARS
WE HAVE BEEN ADDING
WATER
TO THE FIRE
FOR YOUR
SECURITY**



**Sprinklers / Escutcheons / Valves and check valves / Alarm valves / Flexibles pipe
Alarm valves trim / Waterflow detectors / Accessories installation**

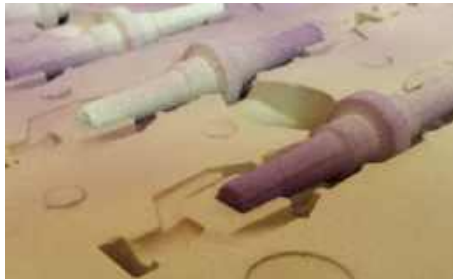


Producing unit (France)



Eljadida producing unit (Morocco)

WHO ARE WE ?



Our history

ROLLAND company created in 1969, has for primary vocation the manufacture of irrigation equipment. During its history, the company has continued to evolve to adapt to changes in the market

For the last 25 years, ROLLAND designs and manufactures sprinklers and alarm valves for fire protection systems.

Unique French manufacturer, ROLLAND gives you benefits of regular development of new products and accessories of very high quality.

Key dates

1994 : creation of the Fire department

1995 : marketing of the first sprinklers

1996 : expansion of the range with alarm valves

1998 : construction of the production unit in Morocco

2002 : marketing of the first flexible pipe in France

2010 : marketing of the flexible pipe KOFULSO/EASYFLEX

2019 : 25 years of presence in fire protection

Our engagements

ISO 9001-2015 certified, our products are approved by organizations such as: Factory Mutual (FM ; USA) et The Loss Prevention Council (LPC ; UK) guarantors of respect for the quality of our products.

ROLLAND is also :

- 2 production units (France and Morocco)
- more than 40000 sprinklers in stock.
- everyday departus to France and all over the world
- a large distribution network

29 years
1995 - 2024





	Sprinklers K80 - CE/FM	5
	Sprinklers K115 - FM	6
	Deluge sprinklers - CE/FM/LPC	7
SPRINKLER	Sprinklers stainless steel, HSW, Concealed, ELO, DRY, ESFR	9
	One piece escutcheons (rosette)	10
	One piece flange escutcheons	11
	Two pieces adjustable escutcheons (rosette)	12
	2 pieces escutcheon screwed type	13
	Replacement escutcheon (rosette)	14 - 15
	Extended escutcheon	16
	Sprinkler water shield	17
SPRINKLERS ACCESSORIES	Sprinkler guard	18 - 19 - 20
	Sprinklers cabinets	21
TELESCOPE PIPES	Telescope pipes M/F - F/F	22 - 23
	Wet alarm valve - CE / APSAD trim	25
	Wet alarm valve - FM trim	27
ALARME VALVES	Dry alarm - FM/CE trim	29
ALARM VALVES ACCESSORIES	Retard chamber	31
	Water motor gong	32
FLEXIBLE PIPES	Kofulso/Easyflex hose pipes FM/UL	33
	Waterflow detector - WFD(E)	44
	Alarm pressure switch EPS10 - EPS40	46 - 47
SUPERVISORY PRODUCTS	OSY2 and PIBV2 supervisor switch	48
	Manometer recorder	49
VALVES	Butterfly valves	50
GTC	General terms and conditions of sale	51

Find all our data sheets downloaded from our website :

www.rolland-sprinklers.com





Sprinklers COLOR PACK

Shops, offices, cinemas, commercial shopping centers, when you are looking for harmony sprinklers on the ceilings, our "color pack" is the solution at the competitive price. Set of 30 sprinklers with simple or two pieces escutcheon (minimum quantity) we quickly custom your sprinkler (K80 / K115 approval LPC - CE - FM - APSAD) with the color RAL wished by your customers

Classical RAL

A choice of more than 200 colors ...

- RAL 9005 Black
- RAL 9010 White
- RAL 7038 Light gray
- RAL 7016 Darck gray
- RAL 4007 Purple
- RAL 4005 Mauve
- RAL ...



Sprinkler approval :



K80 (5.6) Sprinklers

Cu/p - SSP - SSU



Cu/p Standard



Cu/p Fast



SSU Standard



SSU Fast



SSP Standard



SSP Rapide

Description

- The sprinklers spray pendent (SSP) and spray upright (SSU) have a parabolic water distribution directed towards the ground on a specific area. A spray sprinkler discharges from 80 to 100 % of the total water flow in a downward direction.
- Conventional sprinklers have a spherical water distribution directed towards the ground and the ceiling over a specific area. It discharges from 40 to 60 % of the total water flow in the downward direction. The deflector's shape allows either an upright or pendent installation with the same water distribution.

Technical specifications

- Material : brass (body and deflector)
- Maximum operating pressure: 12 bars
- Maximum factory pressure test: 35 bars (made on each sprinkler)
- Packing: Polystyrene box of 20 units, Dim. 25 x 20.5 x 8 cm, Weight : 1.8 kg
- Accessory: Neptune model key for 1/2" and 3/4" sprinkler



	Conventional Cu/p		Pendent SSP		Upright SSU	
	RTI 108	RTI 33	RTI 108	RTI 33	RTI 108	RTI 33
Code SIN	-	-	RO3251	RO3231	RO3151	RO3131
K factor	81.2	81.2	81.2	81.2	81.2	81.2
Orifice (mm)	15	15	15	15	15	15
Thread*	1/2	1/2	1/2	1/2	1/2	1/2
Bulb Ø (mm)	5	3	5	3	5	3
Temperature (°C)	57 - 68 - 79 - 93 141 - 182	57 - 68 - 79 - 93 141	57 - 68 - 79 - 93 141 - 182	57 - 68 - 79 - 93 141	57 - 68 - 79 - 93 141 - 182	57 - 68 - 79 - 93 141
Temperature outside approval (°C)	204 - 260 - 300 - 315					
Height (mm)	56	56	56	56	56	56
Width (mm)	34	34	33	33	42	42
Finish	Brass / Chrome / White / Black / RAL**	Brass / Chrome / White / Black / RAL**	Brass / Chrome / White / Black / RAL**	Brass / Chrome / White / Black / RAL**	Brass / Chrome / White / Black / RAL**	Brass / Chrome / White / Black / RAL**
Approval	CE	CE	CE-FM	CE-FM	CE-FM	CE-FM

* BSP as standard, NPT on request - not stored / **special color RAL on request

Bulb Color	Orange	Red	Yellow	Green	Blue	Mauve	Black
Temperature (°C / °F)	57 / 135	68 / 155	79 / 175	93 / 200	141 / 286	182 / 360	More than 182

Reference

Approval	Thread	Temperature	Action
FM → 1 LPC (APSAD/CE) → 2	1/2" (DN15) → 2	57°C → 1 / 68°C → 2 79°C → 3 / 93°C → 4 141°C → 5 / 182°C → 6	Standard → S (5mm) Quick response → F (3mm) Open → O
Model	Orifice	Type	Finish
Neptune → N	K80 → 2	SSU → U SSP → P Cu/p → C	Brass → L Chrome → C White → B Black → N* Painted → R*
N	2	2	2
			P
			2
			S
			C

Sprinklers K115 (8.0)

SSP - SSU



SSP Standard 3/4



SSP Rapide 1/2



SSU Rapide 3/4



SSU Standard 1/2

Description

The sprinklers spray pendent (SSP) and spray upright (SSU) have a parabolic water distribution directed towards the ground on a specific area. A spray sprinkler discharges from 80 to 100 % of the total water flow in a downward direction.

Technical Specifications

- Maximum working pressure: 12 bars
- Material : brass (body and deflector)
- Maximum factory pressure test: 35 bars (made on each sprinkler)
- Packing: polystyrene box of 20 units, Dim. 0.25 x 0.205 x 0.08 m, Weight = 1.6 kg
- Accessory : Sprinkler Neptune spanner



	Pendent SSP		Upright SSU	
	RTI 108	RTI 33	RTI 108	RTI 33
Code SIN	RO4251	RO4231	RO4151	RO4131
K factor	115.2	115.2	115.2	115.2
Orifice (mm)	20	20	20	20
Thread*	1/2 ou 3/4	1/2 ou 3/4	1/2 ou 3/4	1/2 ou 3/4
Bulb Ø (mm)	5	3	5	3
Temperature (°C)	57-68-79-93-141-182	57-68-79-93-141	57-68-79-93-141-182	57-68-79-93-141
Out of agreement temperature (°C)	204 - 260 - 300 - 315			
Height (mm)	67 (1/2") - 58 (3/4")	67 (1/2") - 58 (3/4")	67 (1/2") - 58 (3/4")	67 (1/2") - 58 (3/4")
Width (mm)	33	33	42	42
Finish	Brass / Chrome / White / Black / RAL**	Brass / Chrome / White / Black / RAL**	Brass / Chrome / White / Black / RAL**	Brass / Chrome / White / Black / RAL**
Approval	FM	FM	FM	FM

* BSP as standard, NPT on request - not stored / **special color RAL on request

Bulb color	Orange	Red	Yellow	Green	Blue	Mauve
Temperature (°C - °F)	57 / 135	68 / 155	79 / 175	93 / 200	141 / 286	182 / 360

Reference

Approval FM → 1	Thread 1/2" (DN15) → 2 3/4" (DN20) → 3	Temperature 57°C → 1 / 68°C → 2 79°C → 3 / 93°C → 4 141°C → 5 / 182°C → 6	Action Standard → S (5mm) Quick Response → F (3mm) Open → O
Model Neptune → N	Orifice K115 → 3	Type SSU → U SSP → P	Finish Brass → L Chrome → C White → B Black → N* Painted → R**
N	1	3	3
		P	2
			S
			C

Deluge Sprinklers Cu/p - SEP - SSU



SSP 1/2''



SSU 1/2''



Cu/p 1/2''



SSPP3/4''



SSU 3/4''

Description

- The sprinklers spray pendent (SSP) and spray upright (SSU) have a parabolic water distribution directed towards the ground on a specific area. A spray sprinkler discharges from 80 to 100 % of the total water flow in a downward direction.
- Conventional sprinklers have a spherical water distribution directed towards the ground and the ceiling over a specific area. It discharges from 40 to 60 % of the total water flow in the downward direction. The deflector's shape allows either an upright or pendent installation with the same water distribution.
- These deluge fire sprinklers are installed in deluge systems activated by a detection system installed in the same area. Deluge systems are used in high hazard areas such as power plants, aircraft hangars and chemical storage... .

Technical specifications

- Approval : LPC / APSAD / CE / FM
- Material : brass (body and deflector)
- Maximum operating pressure: 12 bar
- Factory test pressure 35 bar (100% of the production)
- Accessory: 1/2" and 3/4" Sprinkler Neptune spanner



Sprinklers

	Conventional Cu/p		Pendent SSP		Upright SSU	
SIN code	-	-	-	-	-	-
K factor	81.2	81.2	81.2	81.2	81.2	81.2
Orifice (mm)	15	15	15	15	15	15
Thread*	1/2"	1/2"	1/2"	1/2"	1/2"	1/2"
Bulb Ø (mm)	Open	Open	Open	Open	Open	Open
Height (mm)	56	56	56	56	56	56
Width (mm)	34	34	33	33	42	42
Finish	Brass / Chrome White / Black / RAL**	Brass / Chrome White / Black / RAL**	Brass / Chrome White / Black / RAL**	Brass / Chrome White / Black / RAL**	Brass / Chrome White / Black / RAL**	Brass / Chrome White / Black / RAL**
Approval	CE	CE	CE - FM	CE - FM	CE - FM	CE - FM

	Pendent SSP		Upright SSU	
SIN code	-	-	-	-
K factor	115.2	115.2	115.2	115.2
Orifice (mm)	20	20	20	20
Thread*	1/2" or 3/4"	1/2" or 3/4"	1/2" or 3/4"	1/2" or 3/4"
Bulb Ø (mm)	Open	Open	Open	Open
Height (mm)	67 (1/2") - 58 (3/4")	67 (1/2") - 58 (3/4")	67 (1/2") - 58 (3/4")	67 (1/2") - 58 (3/4")
Width (mm)	33	33	42	42
Finish	Brass / Chrome White / Black / RAL*	Brass / Chrome White / Black / RAL*	Brass / Chrome White / Black / RAL*	Brass / Chrome White / Black / RAL*
Approval	FM	FM	FM	FM

* BSP as standard, NPT on request - not stored / **specify RAL.

IMPORTANT

ROLLAND sprinklers have been manufactured and tested to meet the highest standards and under the inspection of official laboratories. (Factory Mutual, Loss Prevention Council, Verband der Sachversicherer, APSAD). They are to be installed in accordance with the latest published standards. Any deviation from the standards or alteration to the sprinkler after it leaves the factory such as painting or any other coating may render the sprinkler inoperative and will automatically cancel the approval and any guarantee made by ROLLAND company.

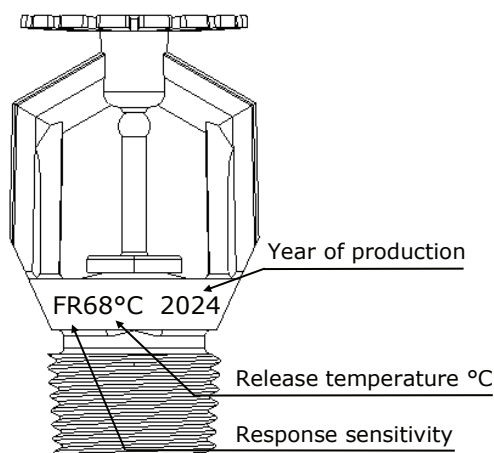
OPERATION

When the heat increases, the fluid within the bulb expands. The inside pressure increases. When the rated temperature is reached, the bulb shatters in small pieces of glass releasing the water way.

GUARANTEE

The ROLLAND company repairs or replaces sprinklers that show a manufacturing defect for one year starting from the date of shipment.

SPRINKLER MARKING



INSTALLATION

- Sprinklers must be installed according to the latest published standards of National Fire Protection Association, Factory Mutual, Loss Prevention Council, plenary assembly, APSAD or other similar institutes.
- The sprinklers must be installed after the piping is in place to prevent any mechanical damage.
- Before installing, make sure the appropriate model, type, orifice size, temperature rating and finish are used.
- The pipe joint compound or tape must be applied only in the external thread. Be careful not to allow a build up of compound or tape in the sprinkler orifice.
- Only use the special wrench to install sprinkler. Any other one is liable to injure the sprinkler.
- Never use the sprinkler deflector to thread the sprinkler into a fitting.
- Sprinklers must be handled with care. They must be stored in a cool and dry place in their original packing.
- Never install a sprinkler after it has dropped to the floor, been injured in any way or exposed to temperatures in excess.
- Never install any glass bulb sprinkler if the bulb is cracked or if there is a loss of liquid from the bulb. These sprinklers must be destroyed immediately.

	Temperatures
Orange	57°C - 135°F
Red	68°C - 155°F
Yellow	79°C - 175°F
Green	93°C - 200°F
Blue	141°C - 286°F
Mauve	182°C - 360°F
Black	204°C - 315°C

MARKING

SSU :

Spray Sprinkler Upright. This kind of sprinkler must be installed in upright position only. The deflector must be above the pipe.

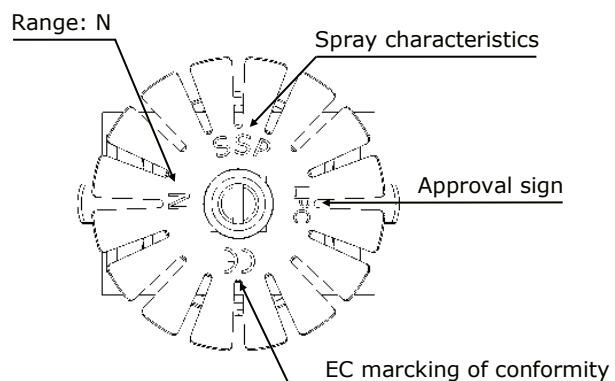
SSP :

Spray Sprinkler Pendent. This kind of sprinkler must be installed in pendent position only. The deflector must be below the pipe.

The sprinklers **SSU** and **SSP** have a parabolic water distribution directed towards the ground over a definite protection area. A spray sprinkler discharges from 80 to 100% of the total water flow in a downward direction.

Cu/p :

Conventional Sprinkler. This can be installed in an upright or pendent position. A conventional sprinkler has a spherical water distribution directed towards the ground and the ceiling over a definite protection area. It discharges from 40 to 60% of the total water flow in the downward direction.



Sprinklers

SSP Sprinkler Pendent INOX



K80/K115 SSP sprinkler pendent, DN15 (1/2"), Standard or quick response, Inox 316, approved FM, CE, VdS, VKF

SSU Sprinkler Upright INOX



K80/K115 SSU sprinkler Upright, DN15 (1/2"), Standard or quick response, Inox 316, approved FM, CE, VdS, VKF-AEAI

Cup Sprinkler conventional INOX



K80/K115 Cu/p sprinkler conventional, DN15 (1/2"), Standard or quick response, inox 316, approved VdS, CE, VKS-AEAI

HSW Sprinkler Horizontal Sidewall



K80/ HSW sprinkler pendent, DN15 (1/2"), Standard or quick response. Finish: Brass, chrome-plated. Approved FM, CE, VdS, VKF.

HSW EC Sprinkler Horizontal Sidewall



K80/K115 HSW sprinkler horizontale sidewall Extended Coverage, DN15 (1/2"), DN20 (3/4"), Standard or quick response, approved FM

HSW EC Sprinkler Vertical Sidewall



K80/ VSW sprinkler vertical sidewall, DN15, Standard or quick response, FM

Sprinkler Concealed SPP



Concealed pendent sprinkler, K80 DN15 (1/2"), Standard or quick response, approved FM, LPCB. Finition chrome, white

DRY Sprinkler Pendent (SSP)



K80 DRY sprinkler pendent or horizontale, 3/4" ou 1", Standard or quick response. Finishing escutcheon : chrome, white. Approved FM, UL

ELO Sprinkler Pendent (SSP)



K160 SSP Extra Large Orifice sprinkler pendent, DN20 (3/4"), Standard or quick response, approved FM

ELO Sprinkler Upright (SSU)



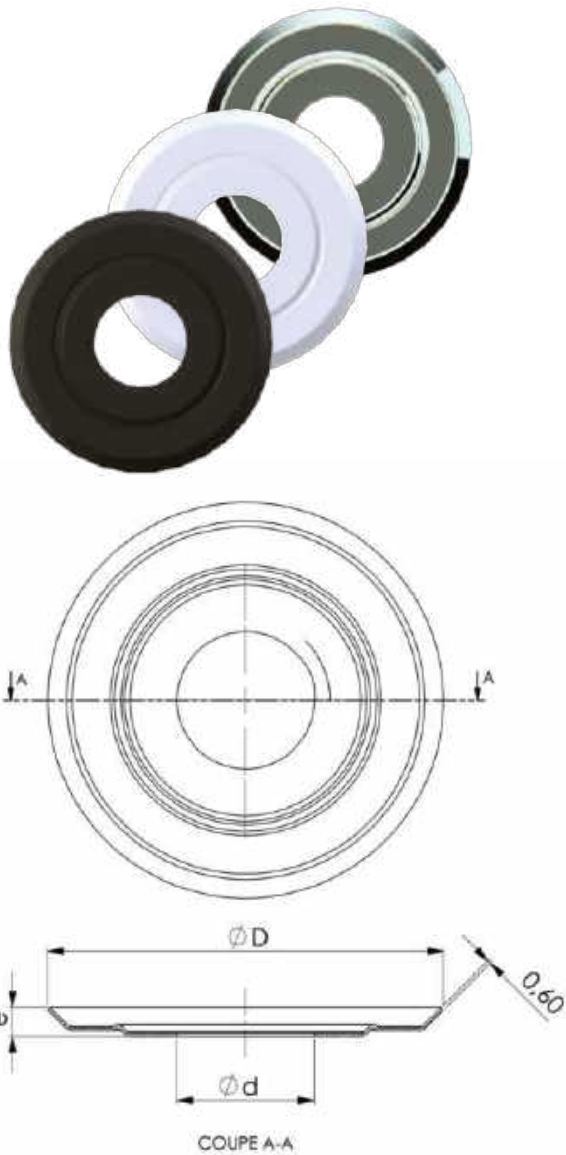
K160 SSU Extra Large Orifice sprinkler upright, DN20 (3/4"), Standard or quick response, approved FM

ESFR Sprinkler



ESFR 14(K202) 17(K242) 22(K320) 25(K363) SSP Early Suppression sprinkler, DN25 1", quick response 74°C ou 101°C, approved FM

One piece thread escutcheon



Sprinklers Accessories

Reference	Description	Filetage	Finish (RAL)	Material	Ød (mm)	ØD (mm)
ROSACECHR1FI	One piece thread escutcheon	1/2"	Chrome	Steel	20,3	75
ROSACEBLA1FI	One piece thread escutcheon	1/2"	White 9010	Steel	20,3	75
ROSACENOI1FI	One piece thread escutcheon	1/2"	Black 9005	Steel	20,3	75
ROSACE3161FI	One piece thread escutcheon	1/2"	Stainless steel	SS316	20,3	75
ROSACE430	One piece escutcheon	1/2"	Stainless steel	SS430	20.3	75
ROSACECHR3/41FI	One piece thread escutcheon	3/4"	Chrome	Steel	25,8	75
ROSACEBLA3/41FI	One piece thread escutcheon	3/4"	White 9010	Steel	25,8	75
ROSACENOI3/41FI	One piece thread escutcheon	3/4"	Black 9005	Steel	25,8	75
ROSACE3163/41FI	One piece thread escutcheon	3/4"	Stainless steel	SS316	25,8	75

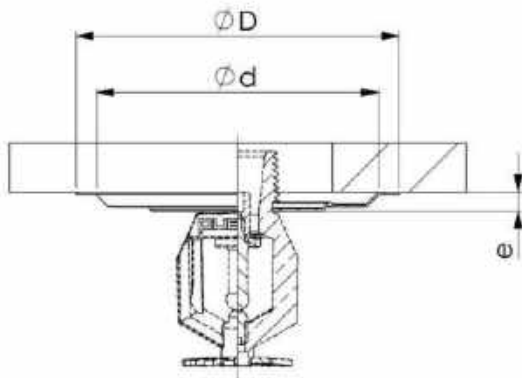
One piece flange escutcheon



- ✓ Escutcheon specially designed for **INSULATING PANELS**
- ✓ Does not scratch the panels during installation
- ✓ Suitable with the escutcheon seal ref. **KFJMR**
- ✓ Chrome finish, white coated **INOX 316**



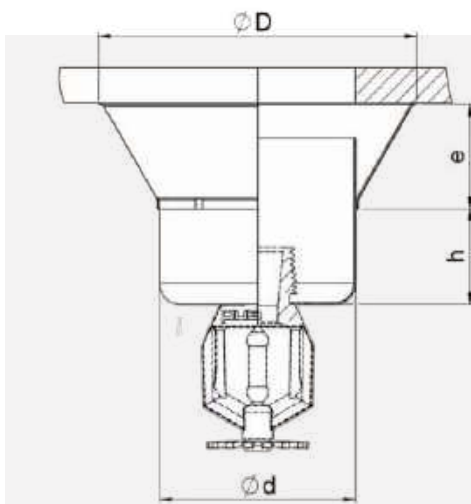
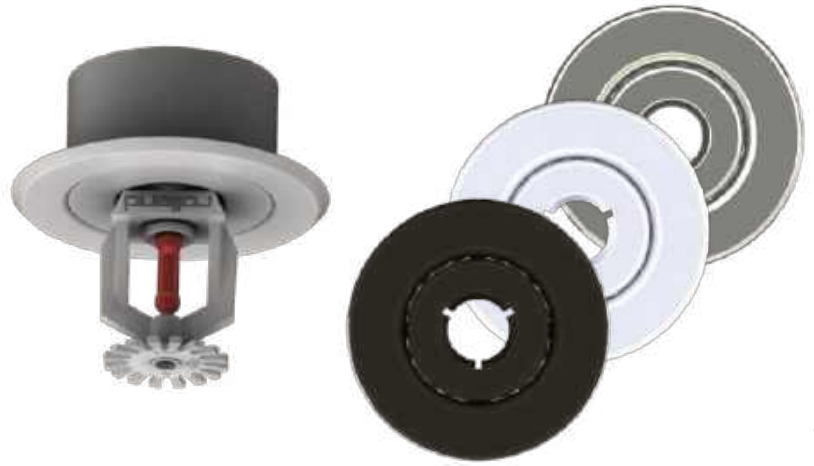
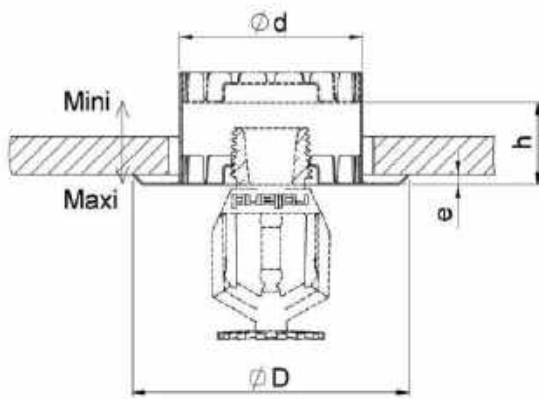
CR CNA foam rosette gasket



Sprinklers accessories



Reference	Description	Thread	Finish	Material	Ød (mm)	ØD (mm)	e (mm)
ROSACECOLLECHR1/2	One piece flange escutcheon	1/2"	Chrome	Steel	75	85	5
ROSACECOLLEBLA1/2	One piece flange escutcheon	1/2"	Blanc	Steel	75	85	5
ROSACECOLLE3161/2	One piece flange escutcheon	1/2"	Inox	INOX 316	75	85	5
KFJMR	Joint of escutcheon	1/2" - 3/4"	/	CR CNA	/	65	6

Two pieces escutcheons



TWO PIECES ADJUSTABLE ESCUTCHEONS



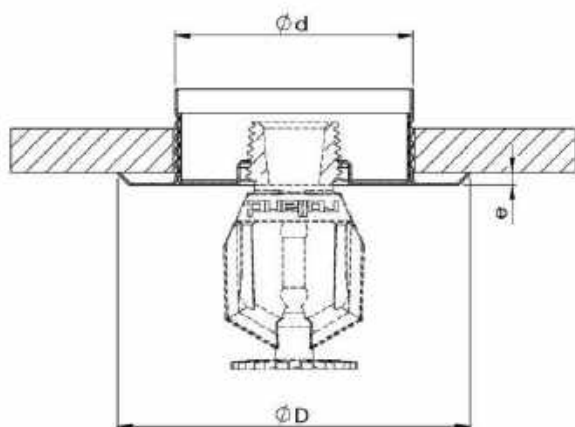
-  Adjustable height
-  Chrome or white coated finish

Reference	Description	Thread	Finish (RAL)	Ød (mm)	ØD (mm)	h (mm)	e (mm)
ROSACEDCHR	2 pieces adjustable escutcheon	1/2"	Chrome	48	73	18	3
ROSACEDBLA	2 pieces adjustable escutcheon	1/2"	White 9010	48	73	18	3
ROSACEDNOI	2 pieces adjustable escutcheon	1/2"	Black 9005	48	73	18	3
ROSACEDCHRLARGE	2 pieces adjustable escutcheon Large model	1/2"	Chrome	50	90	12	4
ROSACEDBLALARGE	2 pieces adjustable escutcheon Large model	1/2"	White 9010	50	90	12	4
ROSACEDRALLCHR	2 pieces adjustable escutcheon Long model	1/2"	Chrome	56	90	15 to 43	32
ROSACEDRALLBLA	2 pieces adjustable escutcheon Long model	1/2"	White 9010	56	90	15 to 43	32
ROSACEDCHR3/4	2 pieces adjustable escutcheon	3/4"	Chrome	48	73	18	3
ROSACEDBLA3/4	2 pieces adjustable escutcheon	3/4"	White 9010	48	73	18	3
ROSACEDNOI3/4	2 pieces adjustable escutcheon	3/4"	Black 9005	48	73	18	3

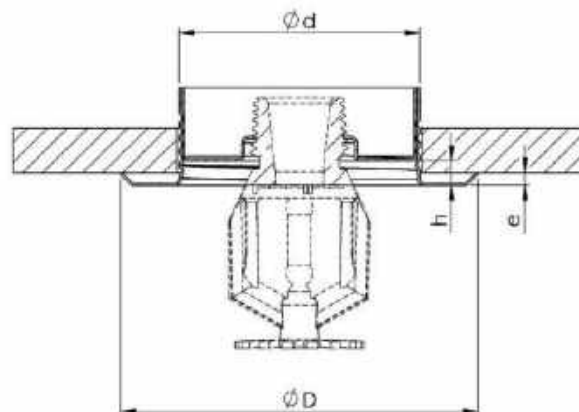
Two pieces escutcheon Screwed type



Low position



High position



Sprinklers Accessories

Reference	Description	Thread	Finish	ϕd (mm)	ϕD (mm)	h (mm)	e (mm)
ROSACEDCHRVI	Rosace double à visser	1/2"	Chrome	55	80	10	3
ROSACEDBLAVI	Rosace double à visser	1/2"	White	55	80	10	3
ROSACEDNOIVI	Rosace double à visser	1/2"	Black	55	80	10	3
ROSACEDCHRVI3/4	Rosace double à visser	3/4"	Chrome	55	80	10	3

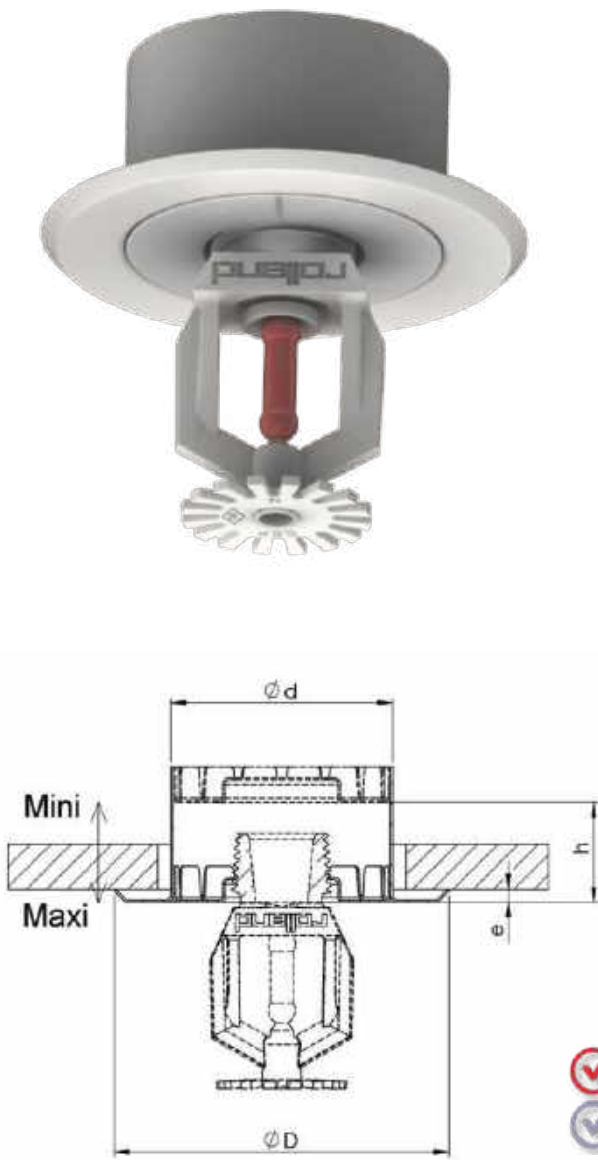
Replacement escutcheons Wall escutcheons





Reference	Description	Thread F (d")	Finish	Material	e (mm)	ØD (mm)
ROSACERCHR	Replacement escutcheon	1/2"	Chrome	Steel	6	75
ROSACERBLA	Replacement escutcheon	1/2"	White	Steel	5	75
ROSACERCHR3/4	Replacement escutcheon	3/4"	Chrome	Steel	6	75
ROSACETEDE	1 piece escutcheon 90x40 Deco sprinkler	Ø40	Chrome	Steel	5	90
ROSACE1PC1/2"	1 piece escutcheon with spring	1/2"	Chrome	Steel	7	71
ROSACE1PC3/4"	1 piece escutcheon with spring	3/4"	Chrome	Steel	7	75
ROSACE1PC1"	1 piece escutcheon with spring	1"	Chrome	Steel	7	85
ROSACE1PC1"1/4	1 piece escutcheon with spring	1"1/4	Chrome	Steel	9	91
ROSACE1PC1"1/2	1 piece escutcheon with spring	1"1/2	Chrome	Steel	9	98
ROSACE1PC2"	1 piece escutcheon with spring	2"	Chrome	Steel	9	111
ROSACE1PC2"1/2	1 piece escutcheon with spring	2"1/2	Chrome	Steel	10	135
ROSACE1PC3"	1 piece escutcheon with spring	3"	Chrome	Steel	10	152
ROSACE1PC4"	1 piece escutcheon with spring	4"	Chrome	Steel	10	185
ROSACE1PC5"	1 piece escutcheon with spring	5"	Chrome	Steel	12	230

Sprinklers Accessories

3 parts replacement escutcheon



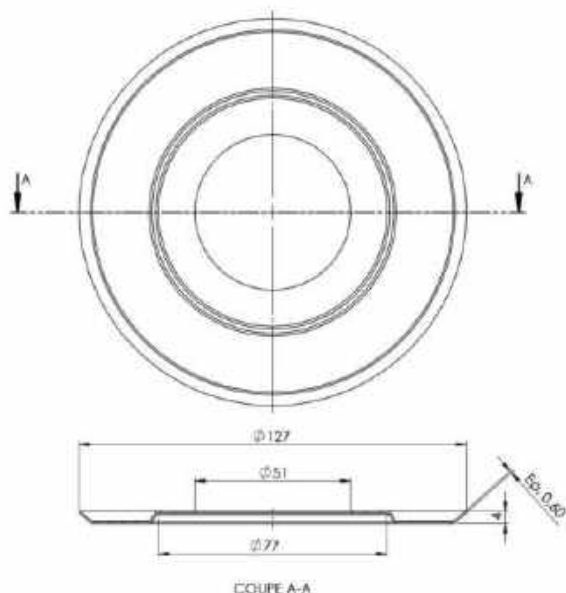
-  Replacing the escutcheon without removing the sprinkler
-  chrome or white painted finish

Sprinklers Accessories

Reference	Description	Thread	Finish	Ød (mm)	ØD (mm)	h (mm)	e (mm)
ROSACEREMPL3P	3 parts replacement escutcheon	1/2"	Chrome	48	73	18	3

- ✓ Hides bad cuts
- ✓ Suitable with single or double escutcheon

- ✓ Chrome or white coated finish
- ✓ Wall trim for DN40 pipe

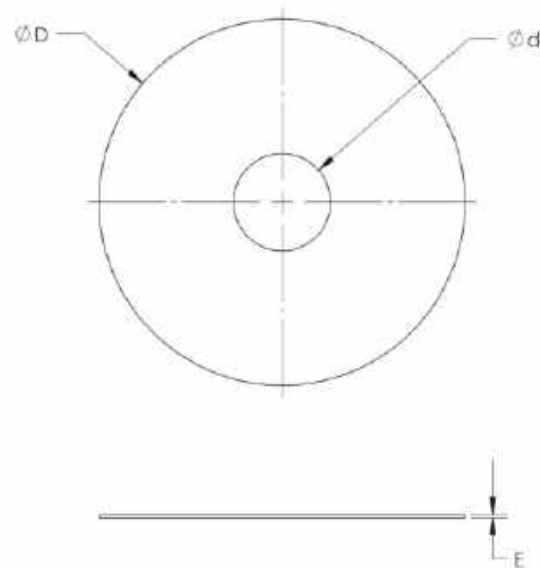


Assembly with two pieces escutcheon

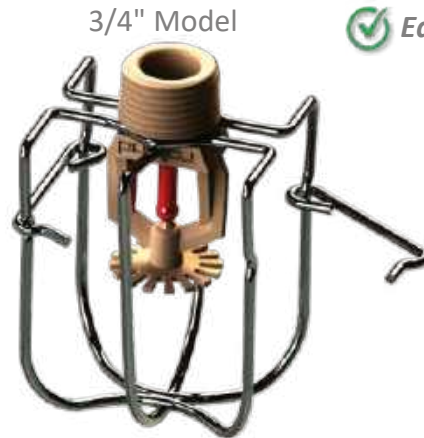


Assembly with one piece escutcheon

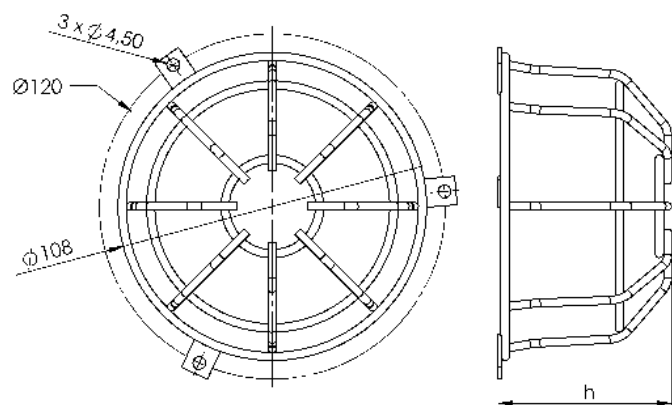
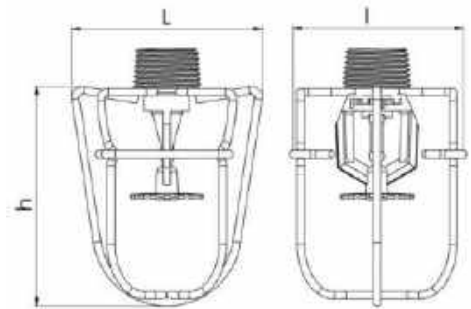
Reference	Description	Finish	Material
EXTROSACECHR	Escutcheon adaptable extension for simple	Chrome	Steel
EXTROSACEBLA	and two pieces adjustable escutcheons	White	Steel



Reference	Description	Thread	Finish	Ød (mm)	ØD (mm)	E (mm)
COUPELLED83GAL1/2	Water shield 1/2" Ø83	1/2"	Galvanised Steel	22	83	0,6
COUPELLED83INOX1/2	Water shield 1/2" Ø83	1/2"	Stainless steel 316	22	83	0.8
COUPELLED83GAL3/4	Water shield 3/4" Ø83	3/4"	Galvanised Steel	26	83	0,6
COUPELLED83GAL1 NEW	Water shield 1" Ø83	1"	Galvanised Steel	33	83	0.6
COUPELLED100ALU1/2	Water shield 1/2" Ø100	1/2"	Aluminium	22	100	0,8
COUPELLED100ALU3/4	Water shield 3/4" Ø100	3/4"	Aluminium	26	100	0,8
COUPELLED150ALUX1/2	Water shield 1/2" Ø150	1/2"	Aluminium	22	150	0,8
COUPELLED150ALUX3/4	Water shield 3/4" Ø150	3/4"	Aluminium	26	150	0,8
COUPELLED150ALUX1 NEW	Water shield 1" Ø150	1"	Aluminium	33	150	0.8






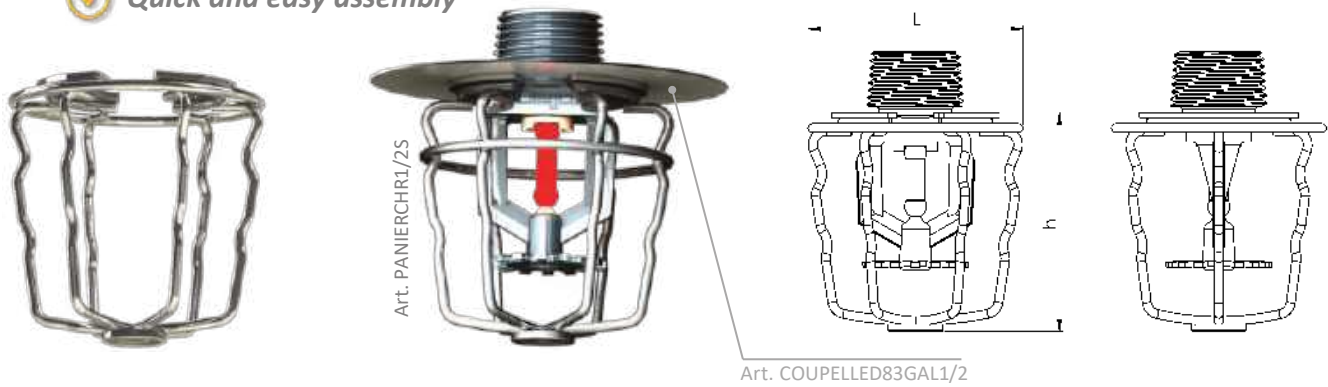
- Sprinkler guard for Rolland Neptune sprinkler
- Chrome, red coated or stainless steel finish
- Easy to install






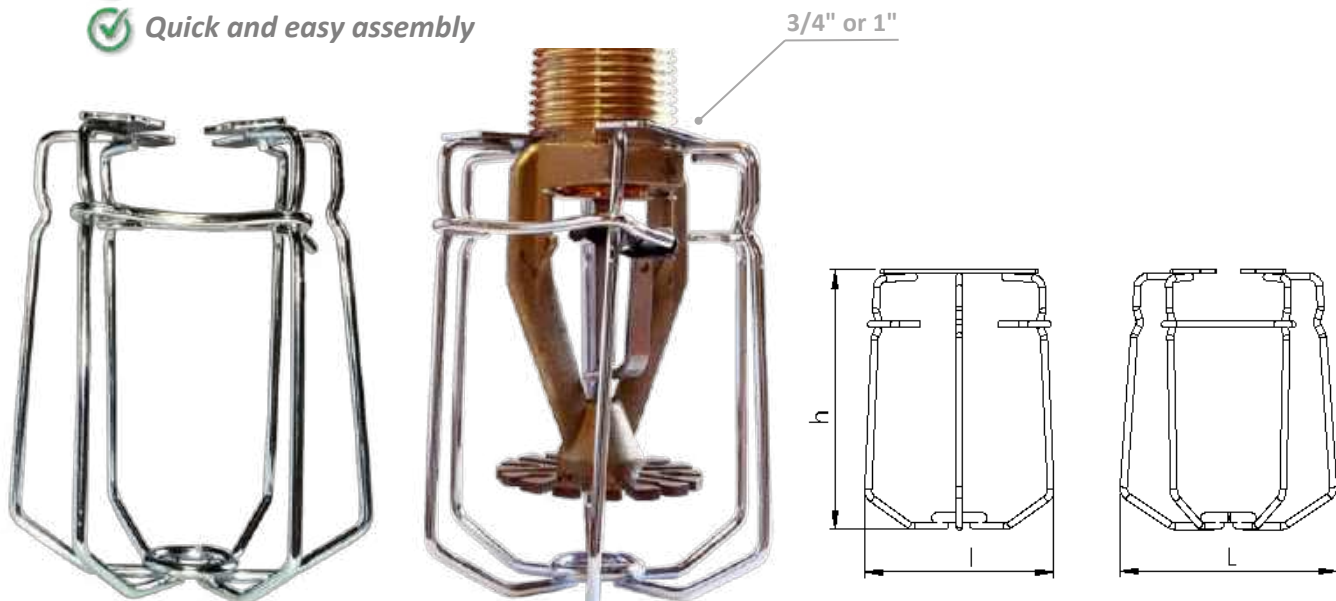
- Basket to screw on any type of support
- Chrome or white painted finish
- For SSP or horizontal sidewall k80 / k115

Reference	Description	Thread	Finish	L (mm)	l (mm)	h (mm)
PANIERCHR	Sprinkler guard	1/2"	Chrome	72	72	80
PANIERROUGE	Sprinkler guard	1/2"	Red	72	72	80
PANIERCHR3/4	Sprinkler guard	3/4"	Chrome	72	72	80
PANIERINOX	Sprinkler guard INOX 304	1/2" - 3/4"	INOX304	72	72	80
PANIERCHRAPPLIQUE	Wall and ceiling sprinkler guard	1/2" - 3/4"	Chrome	Ø 108		58
PANIERBLAAPPLIQUE	Wall and ceiling sprinkler guard	1/2" - 3/4"	White	Ø 108		58

-  Compact sprinkler guard special for storage rack, sprinkler guard for Rolland neptune sprinkler
-  Chrome finish
-  Quick and easy assembly



-  Sprinkler guard for ESFR sprinkler
-  Chrome finish
-  Quick and easy assembly



Reference	Description	Thread	Finish	L (mm)	l (mm)	h (mm)
PANIERCHR1/2S	Small steel sprinkler guard	1/2"	Chrome	Ø 55		58
PANIERCHRESFR3/4"	Steel sprinkler guard	3/4"	Chrome	80	70	95
PANIERCHRESFR1"	Steel sprinkler guard	1"	Chrome	80	70	95

Sprinkler water shield And guard assembly

Water shield Ø93

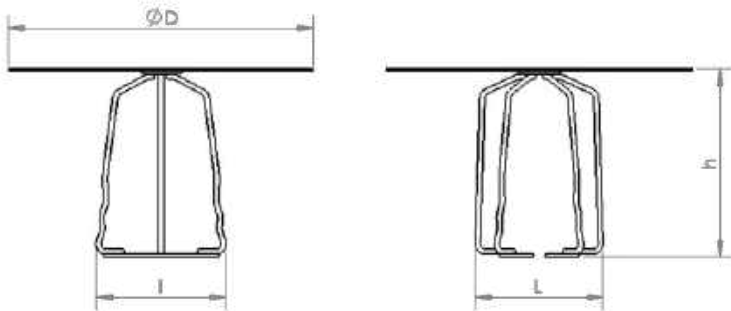


Water shield Ø105



Water shield Ø150







Removable and interchangeable cup



Reference	Description	Thread	Finish	Ø l (mm)	Ø L (mm)	h (mm)	Ø D (mm)
PANIERCHRCOUP	Sprinkler Ø93 water shield and guard assembly	1/2" 3/4"	Chrome steel	67	72	82	93
PANIERCHRCOUP105	Sprinkler Ø105 water shield and guard assembly	1/2"	Chrome steel	61	61	65	105
PANIERCHRCOUP150 NEW	Sprinkler Ø150 water shield and guard assembly	1/2" 3/4"	Chrome steel	62	63	90	150

Sprinklers Accessories

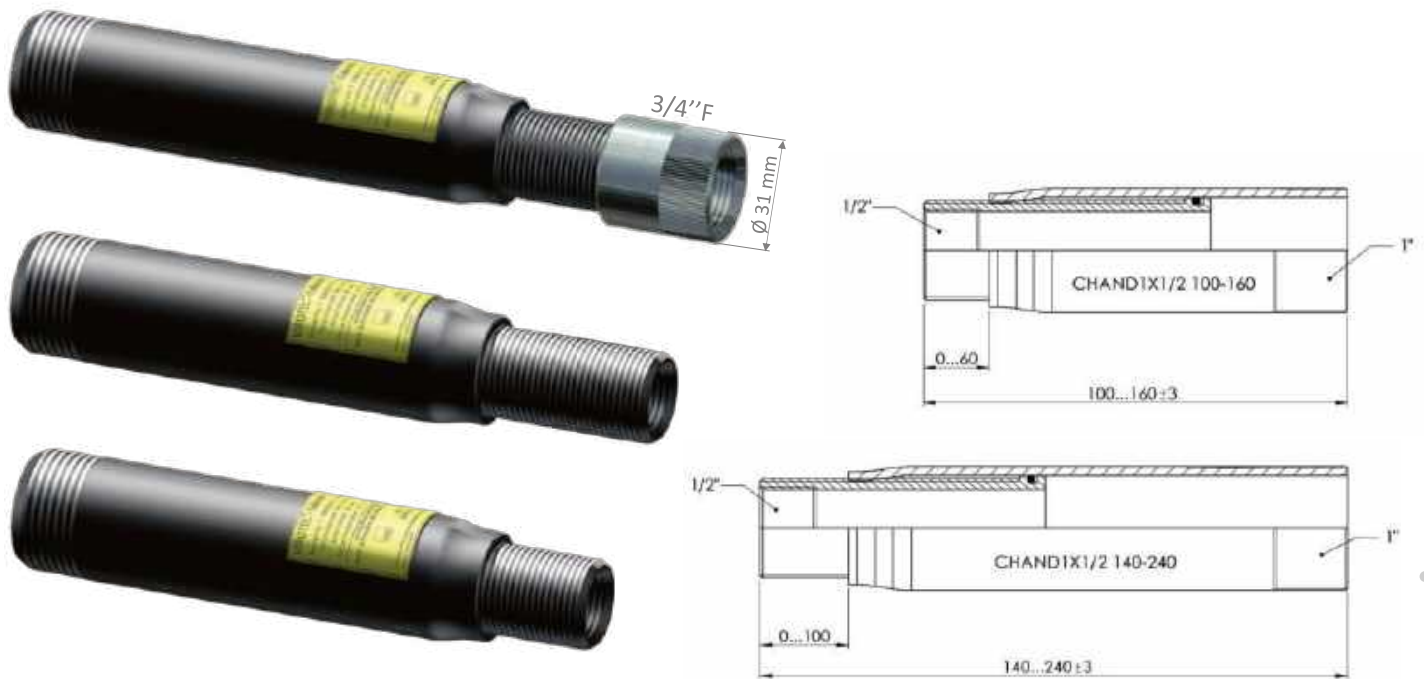
Sprinklers cabinets Wall desk

-  *Fire cabinet used to stock sprinklers*
-  *Metal cabinet with red painting finish*
-  *Available in 6 / 12 / 24 / 36 units place*
-  *Wall mounted holes already done on the cabinet*
-  *For 1/2" - 3/4" / 1"(ESFR) sprinkler (by taking out a adaptator)*
-  *Wall mounted writing desk with lockable compartment*



Accessoires Sprinklers

Reference	Item	Sprinklers' thread	L (mm)	l (mm)	h (mm)
ARMOIRE6SPK	6 sprinklers cabinet	1/2" or 3/4"	390	62	133
ARMOIRE12SPK	12 sprinklers cabinet	1/2" or 3/4"	390	104	133
ARMOIRE24SPK	24 sprinklers cabinet	1/2" or 3/4"	360	104	210
ARMOIRE36SPK	36 sprinklers cabinet	1/2" or 3/4"	360	104	295
ARMOIRE6ESFR NEW	6 sprinklers ESFR cabinet	3/4" or 1"	360	80	165
PUPITRE NEW	Wall mounted writing desk	/	400	330	200

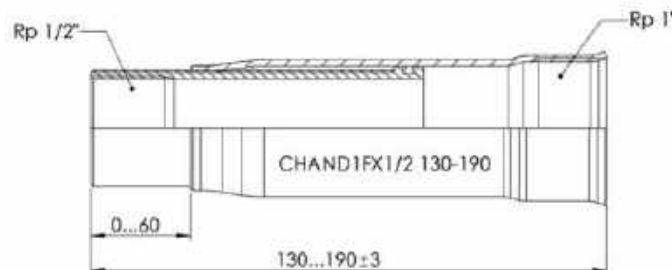


- ✓ Allow precise adjustment of the sprinkler heads on suspended ceilings
- ✓ The adjustment can be made after the complete installation of the pipe system
- ✓ Quick and easy installation, adjustment by screwing/unscrewing
- ✓ Working pressure: PN25
- ✓ Working temperature: -20°C à +110°C
- ✓ Finish coat : black painting



Telescope pipe

Reference	Description	Length (mm)		Adjustment (mm)	Connections		Weight (kg)
		mini	maxi		Inlet	Outlet	
CHVS0.0MF90-140	Telescope pipe	90	140	50	1" M	1/2" F	0.31
CHVS0.1MF100-160	Telescope pipe	100	160	60	1" M	1/2" F	0.35
CHVS0.2MF140-240	Telescope pipe	140	240	100	1" M	1/2" F	0.5
CHVS0.3MF220-320	Telescope pipe	220	320	100	1" M	1/2" F	0.7
CHVS0.1MF3/4140-200	Telescope pipe	140	200	60	1" M	3/4" F	0.4
CHVS0.23/4MF180-300	Telescope pipe	180	300	120	1" M	3/4" F	0.7

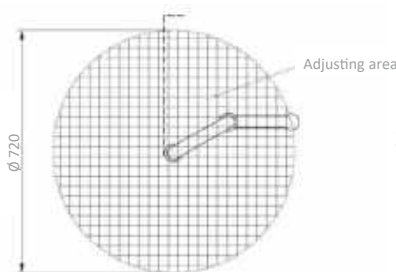


- ✓ Allow precise adjustment of the sprinkler heads on suspended ceilings
- ✓ The adjustment can be made after the complete installation of the pipe system
- ✓ Quick and easy installation, adjustment by screwing/unscrewing
- ✓ Working pressure: PN25
- ✓ Working temperature: -20°C à +110°C
- ✓ Finish coat : black painting



Reference	Description	Length (mm)		Adjustment (mm)	Connections		Weight (kg)
		mini	maxi		Inlet	Outlet	
CHVSIO.1FF130-190	Telescope pipe	130	190	60	1" F	1/2" F	0.45
CHVSIO.2FF170-270	Telescope pipe	170	270	100	1" F	1/2" F	0.60

Flexarm® FL1

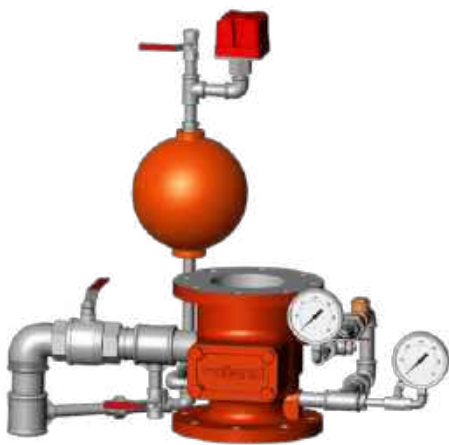


Reference	Description	Material	Operating Pressure	Connexions	
				Inlet	Outlet
FLEXARM FL1	Swivel arm over pipe	Foundry Zinc-plated	PN25	1" M	1" F



Alarm Valves

Made of high quality iron cast, the ROLLAND alarm valves are simple and design ensuring longevity and foolproof operating. The large maintenance hatch allows easy access to facilitate periodic visits.



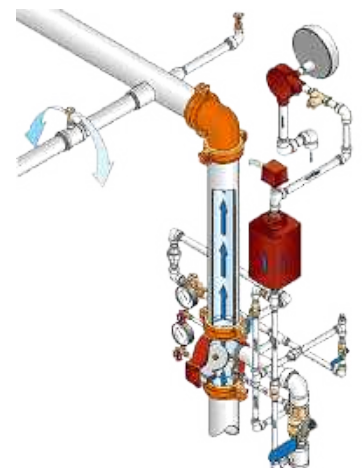
Available in 3" to 8" / PN16 / connection flanged or grooved / pressure rating of 12 bar / pre-trimmed assembly valve possible

Wet alarm valves



Available in 4" à 6" / PN16 / connection flange or grooved / pressure rating of 12 bar / pre-trimmed assembly valve possible

Dry alarm valves



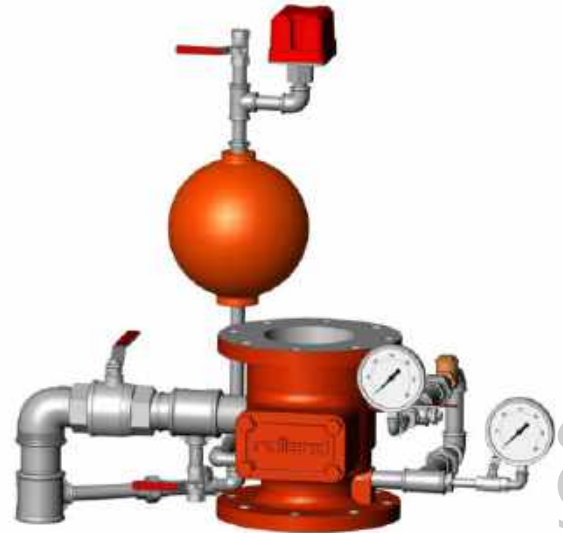
Wet alarm valves CE / APSAD / LPC trim

Description

Usually, a wet alarm valve station includes:

- A Rolland wet alarm valve linked to the water motor gong
- A set of valves and by pass used to test the system
- A drain valve
- A test valve
- Gauges to measure the pressure of the supply line and the system side pressure
- A pressure switch
- A retard chamber can be added when the supply line pressure is variable. The retard chamber prevents false alarms

The description of the wet alarm valve station is general. Before each installation of wet alarm valve station you have to refer to Rules and Authorities having jurisdiction.



Model presented: 6" flange/flange

Specification

Diameters	3"	4"	6"	8"
Connection	Flange/flange	Flange/flange Flange/grooved	Flange/flange Flange/grooved	Flange/flange
Flange type	PN 16 / 8 holes	PN 16 / 8 holes	PN 16 / 8 holes	PN 16 / 12 holes
Color	Orange-red (RAL 2002)			
Height (cm)	27.40	b/r = 26.50 b/b = 22.50	b/r = 28.90 b/b = 26.90	30.20
Weight (kg)	23.60	23.00 (B/R) 23.60 (B/B)	29.40 (B/R) 33.60 (B/B)	54.50
Approval	CE / APSAD / LPC	CE / APSAD / LPC	CE / APSAD / LPC	CE / APSAD / LPC
Working pressure (max.)	12 bar	12 bar	12 bar	12 bar
Reference	Model B 3" eau	Model D 4" wet (B/R) Model B 4" wet (B/B)	Model D 6" wet (B/R) Model B 6" wet (B/B)	Model B 8" wet

Equivalent length

Item	Diameter	Equivalent length (m)
Rolland wet alarm valve	3"	1.0
Rolland wet alarm valve	4"	3.8
Rolland wet alarm valve	6"	10.0
Rolland wet alarm valve	8"	10.5

Based on Hazen-Williams formula, C factor = 120.

Based on French steel pipe (Tarif T19 except 8").

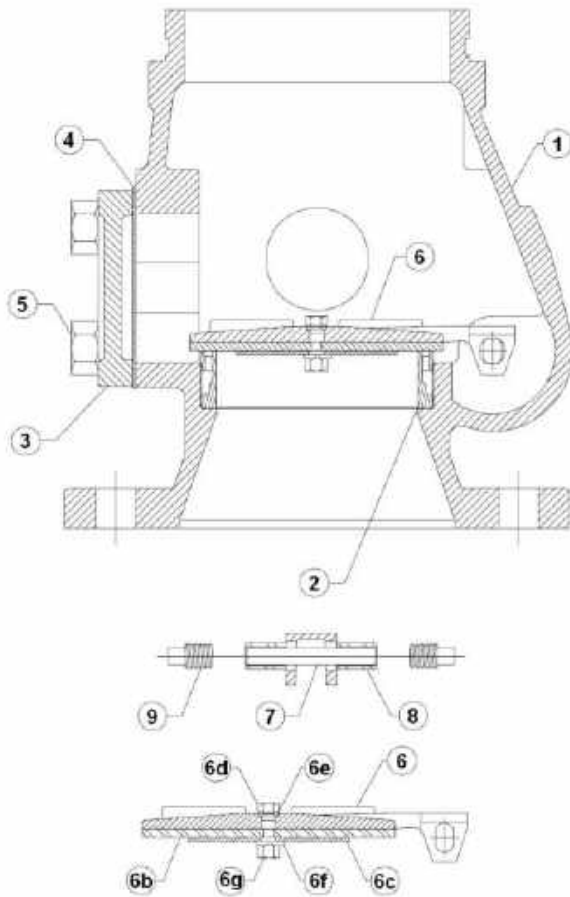
Information based on BRE tests results.



Model presented: 6" flange/flange

Wet alarm valves

Wet alarm valves CE / APSAD / LPC trim



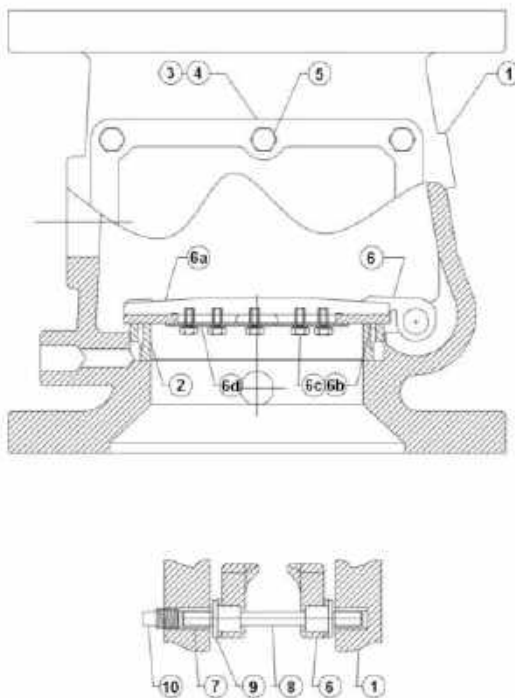
Spare parts 3", 4", 6"

Mark	3" or 4"	6"	Description	Quantity
1	4E.1	6E.1	Body	1
2	Pour info	Pour info	Seat	1
3	4E.3	6E.3	Cover plate	1
4	4E.4	6E.4	Cover gasket	1
5	4E.5	6E.5	Cover bolts	4
6	4E.7	6E.7	Clapper assembly	1
6a	4E.8	6E.8	Clapper	1
6b	4E.9	6E.9	Clapper gasket	1
6c	4E.10	6E.10	Disk	1
6d	4E.11	6E.11	Bolt	1
6e	4E.12	6E.12	O ring	1
6f	4E.13	6E.13	Lockwasher	1
6g	4E.14	6E.14	Nut	1
7	4E.15	6E.15	Clapper pin	1
8	4E.16	6E.16	Bushing	2
9	4E.17	6E.17	Plug	2

3" ou 4"

Spare parts 8"

Mark	8"	Description	Quantity
1	8E.1	Body	1
2	for info	Clapper seal	1
3	8E.3	Cover plate	1
4	8E.4	Cover gasket	1
5	8E.5	Cover bolts	6
6	8E.7	Clapper assembly	1
6a	8E.8	Clapper	1
6b	8E.9	Clapper gasket	1
6c	8E.10	Bolts	5
6d	8E.11	Retainer ring	1
7	8E.18	Bushing	2
8	8E.15	Clapper pin	1
9	8E.16	Clapper bushing	2
10	8E.17	Plug	1



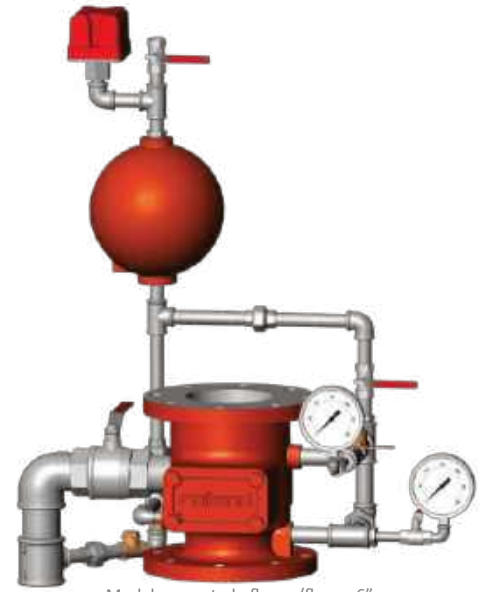
Wet alarm valves

Description

Usually, a wet alarm valve station includes:

- A Rolland wet alarm valve linked to the water motor gong.
- A set of valves and by pass used to test the system.
- A drain valve.
- A test valve
- Gauges to measure the pressure of the supply line and the system side pressure.
- A pressure switch
- A retard chamber can be added when the supply line pressure is variable.
The retard chamber prevents false alarms.

The description of the wet alarm valve station is general. Before each installation of wet alarm valve station you have to refer to Rules and Authorities having jurisdiction.



Model presented : flange/flange 6"

Specification

Diameters	3"	4"	6"	8"
Connection	Flange/flange (f/f)	Flange/grooved (f/g) or Flange/flange (f/f)	Flange/grooved (f/g) or Flange/flange (f/f)	Flange/flange (f/f)
Flange type	PN 16 / 8 holes	PN 16 / 8 holes	PN 16 / 8 holes	PN 16 / 12 holes
Color	Orange-red (RAL 2002)			
Height (cm)	27.40	f/g = 26.50 f/f = 22.50	f/g = 28.90 f/f = 26.90	30.20
Weight (kg)	23,60	23,00 (f/g) 23.40 (f/f)	29.40 (f/g) 33.60 (f/f)	54.50
Approval	FM	FM	FM	FM
Working pressure (max)	12 bar	12 bar	12 bar	12 bar
Reference	Model B 3" wet	Modèle D 4" wet (f/g) Modèle B 4" wet (f/f)	Modèle D 6" Wet (f/g) Modèle B 4" Wet (f/f)	Model B8 wet

Equivalent length

Item	Diameter	Equivalent length (m)
Rolland wet alarm valve	3"	1.0
Rolland wet alarm valve	4"	3.8
Rolland wet alarm valve	6"	10.0
Rolland wet alarm valve	8"	10.5

Based on Hazen-Williams formula, C factor = 120.
Based on French steel pipe (Tarif T19 except 8").
Information based on BRE tests results.



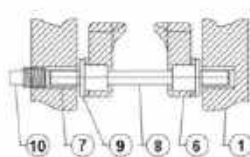
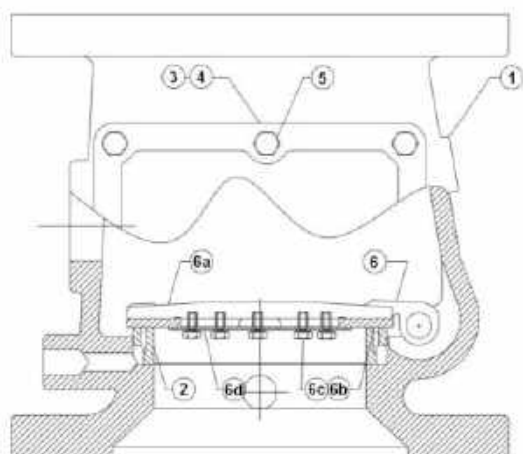
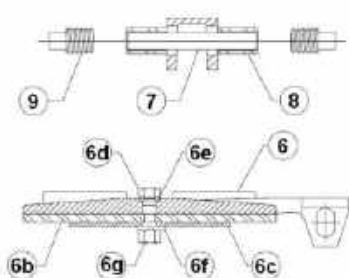
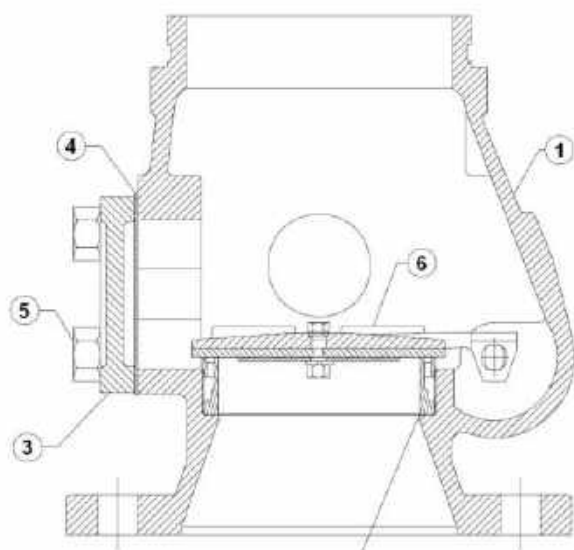
Model presented : flange/flange 6"

Spart parts 3, 4, 6"

Reference	3 or 4"	6"	Description	Quantity
1	4E.1	6E.1	Body	1
2	Only for information		Clapper seal	1
3	4E.3	6E.3	Cover plate	1
4	4E.4	6E.4	Cover gasket	1
5	4E.5	6E.5	Cover bolts	4
6	4E.7	6E.7	Clapper assembly	1
6a	4E.8	6E.8	Clapper	1
6b	4E.9	6E.9	Clapper gasket	1
6c	4E.10	6E.10	Retairing ring	1
6d	4E.11	6E.11	Bolts	1
6e	4E.12	6E.12	Gasket	1
6f	4E.13	6E.13	Lock nut	1
6g	4E.14	6E.14	Nut	1
7	4E.15	6E.15	Clapper pin	1
8	4E.16	6E.16	Clapper bushing	2
9	4E.17	6E.17	Plug	2

Spart parts 8"

Reference	8"	Description	Quantity
1	8E.1	Body	1
2	for info	Clapper seal	1
3	8E.3	Cover plate	1
4	8E.4	Cover gasket	1
5	8E.5	Cover bolts	6
6	8E.7	Clapper assembly	1
6a	8E.8	Clapper	1
6b	8E.9	Clapper gasket	1
6c	8E.10	Bolts	5
6d	8E.11	Retainer ring	1
7	8E.18	Bushing	2
8	8E.15	Clapper pin	1
9	8E.16	Clapper bushing	2
10	8E.17	Plug	1



Dry alarm valves CE / APSAD / FM trim

Description

Usually, a dry alarm valve station includes:

- a Rolland dry pipe valve linked to the water motor gong.
- a set of valves and by pass used to test the water motor gong and to operate the differential check valve without overrunning the system by water.
- a drain valve.
- a pressure switch.
- gauges to measure the pressure of the water supply line and the air pressure of the system side.
- an accelerator can be added to get a faster response time of the dry pipe (optional).

The description of the dry alarm valve station is general. Before each installation of dry alarm valve station you have to refer to the required standards (Factory Mutual or others).

Valve operation

Dry alarm valve stations are used in automatic fire sprinkler protection systems when buildings may be exposed to freezing temperatures. Various accessories are available to meet the standards required by the authorities.

The heat resulting from a fire causes the sprinklers bulbs to explode. All air maintained inside the piping system is evacuated. When the air pressure is under the clapper opening pressure, the clapper raises, allowing water to enter the system, including the alarm device. The water motor gong is operating.

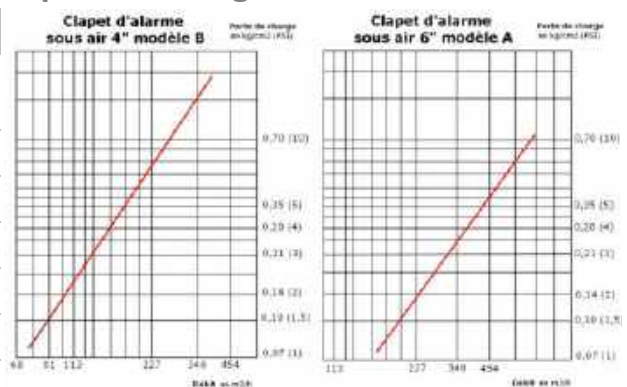
An accelerator will enable a faster clapper opening at a lower pressure differential.



Specifications

Diameter	4"	6"
Connexion	Grooved / Grooved	Flange / Grooved
Flange type	PN 16	PN 16
Colour	Orange-red (RAL 2002)	Orange-red (RAL 2002)
Height (cm)	37,80	49,00
Weight (kg)	55,00	112,00
Approval	CE / APSAD / FM	CE / APSAD / FM
Max working pressure	12 bar	12 bar
Reference	POSTE AIR4"	POSTEAIR6"
Model	B4" Air	B6" Air

Equivalent length



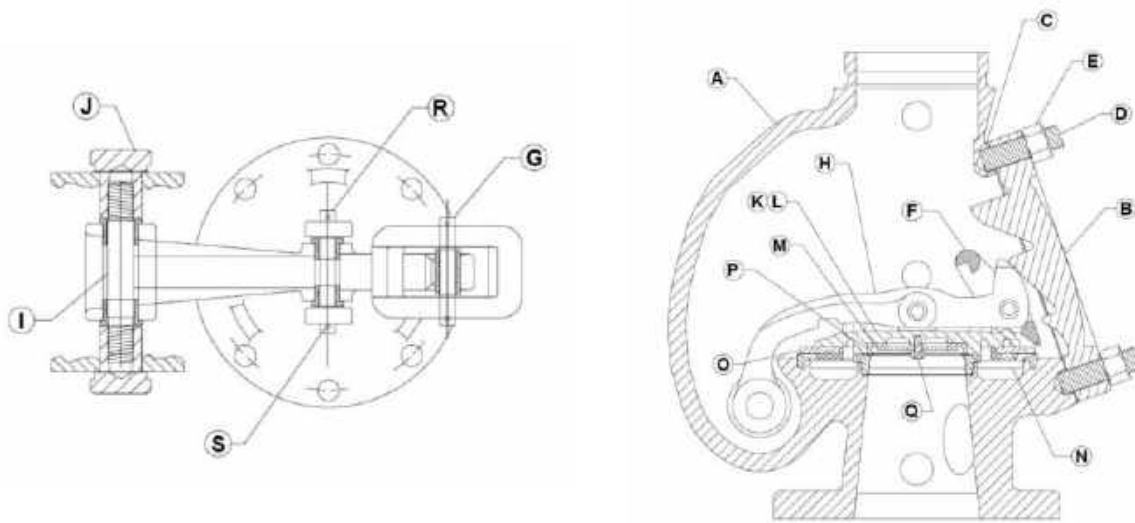
6" alarm valve



4" alarm valve

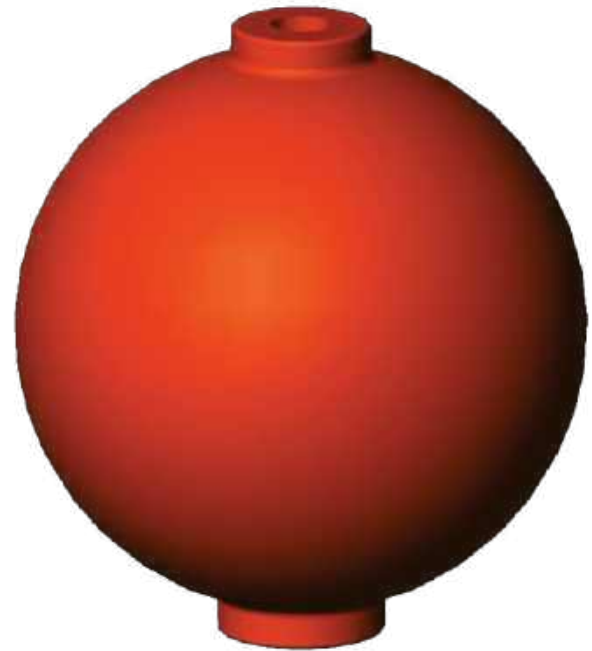
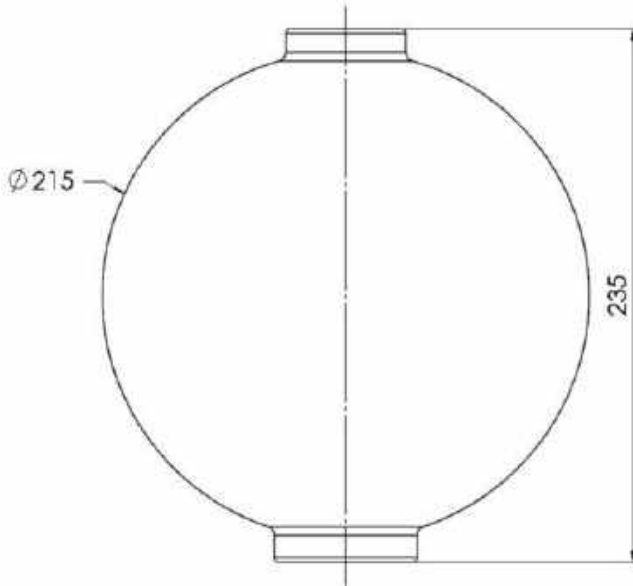
Dry alarm valves

Dry alarm valves CE / APSAD / FM trim



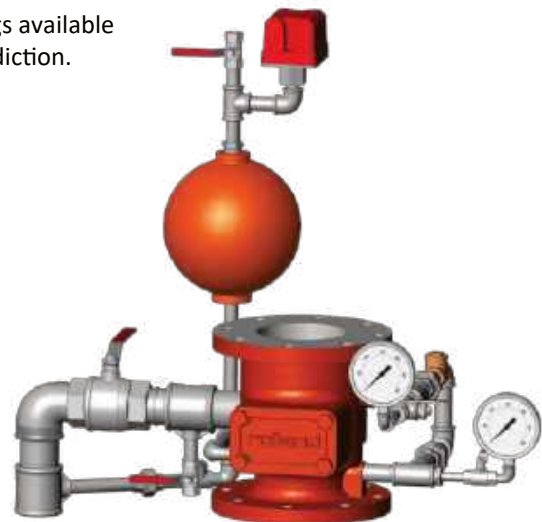
Reference	Dry pipe valve 4"	Dry pipe valve 6"	Description
A	4A.1	6A.1	Body
B	4A.3	6A.3	Cover plate
C	4A.4	6A.4	Cover gasket
D	4A.5	6A.5	Cover bolt
E	4A.6	6A.6	Cover nut
F	4A.10	6A.10	Latch
G	4A.11	6A.11	Latch pin
H	4A.12	6A.12	Clapper arm
I	4A.13	6A.13	Clapper arm pin
J	4A.14	6A.14	Clapper arm pin plug
K	4A.7	6A.7	Clapper assembly
L	4A.8	6A.8	Clapper
M	4A.9	6A.9	Clapper ring
N	4A.15	6A.15	Clapper screw
O	4A.16	6A.16	Rubber air seat gasket
P	4A.17	6A.17	Rubber water seat gasket
Q	4A.18	6A.18	Clapper disc screw
R	4A.19	6A.19	Pin clapper arm/disk
S	4A.20	6A.20	Cotter pin clapper pin/clapper arm

Dry alarm valves



Description et installation

- The retard chamber is a water tank used to limit false alarms. When the wet alarm valve clapper is opening, water flows in the trim and enters in the retard chamber before running the water motor gong and the pressure switch. One part of the water is drained through a reduced orifice. Then there are two possible situations:
 - If discharge is continuous and results of sprinkler activation, it will be higher than the water able to go through the reduced orifice. The retard chamber is filling and once it is full, alarms will be activated.
 - If discharge is limited or results of pressure variations in the system, water is going to be drained through the reduced orifice before the retard chamber is filled. Alarms will not be activated.
- The retard chamber is usually installed on wet alarm valves connected to water supply subjected to pressure variations.
- Maximum working pressure: 12 bars
- Inlet and outlet connections 1/2"
- Installation must be done according to wet alarm valves trims drawings available from our brochures or in accordance with the Authorities having jurisdiction.
- Accessory: reduced orifice 3.2 mm



Water motor Gong APSAD / CE / FM



TECHNICAL CHARACTERISTICS

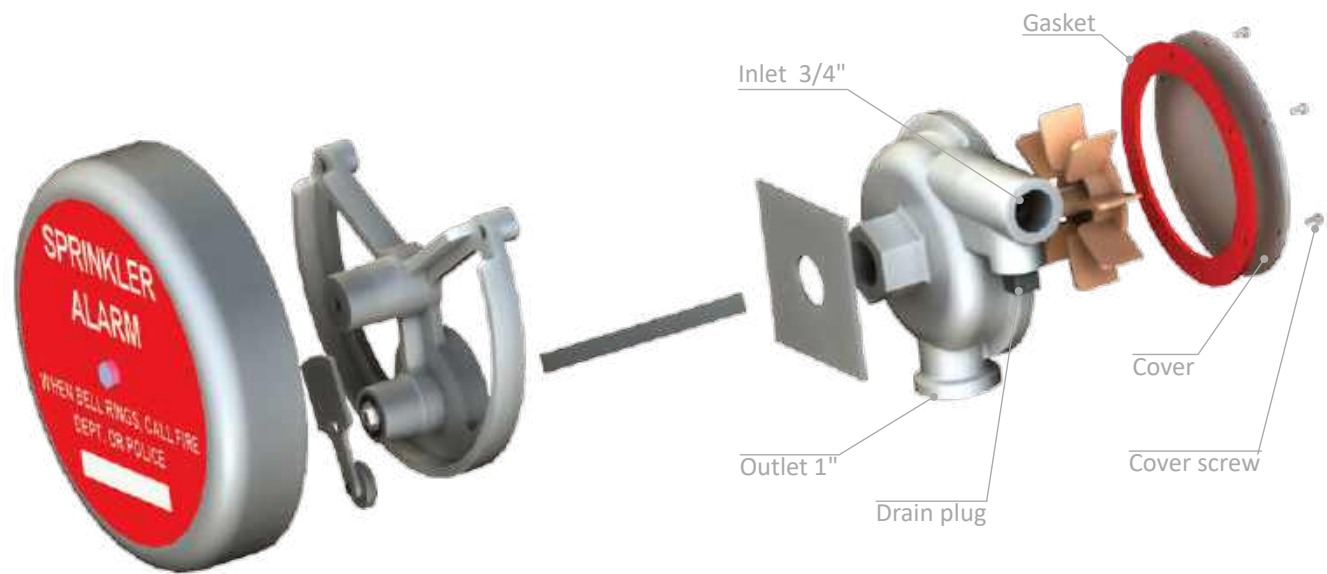
Impeller housing	Aluminium
Impeller	Plastic
Gong	Aluminium
Screw	Steel
Inlet	3/4"
Outlet	1"



Alarm valve

Description

The "E" Model Water Motor Gong is a self contained, water operated alarm that sounds continuously whenever the sprinkler system is activated. Designed with functional simplicity and sound engineering practice, the "E" Model Water Motor Gong is always ready to function in the event of fire
The lid of the body is dismountable to facilitate periodic maintenance actions.



KOFULSO®/Easyflex®

Flexibles hose distributed by:



SIMPLICITY



FLEXIBILITY



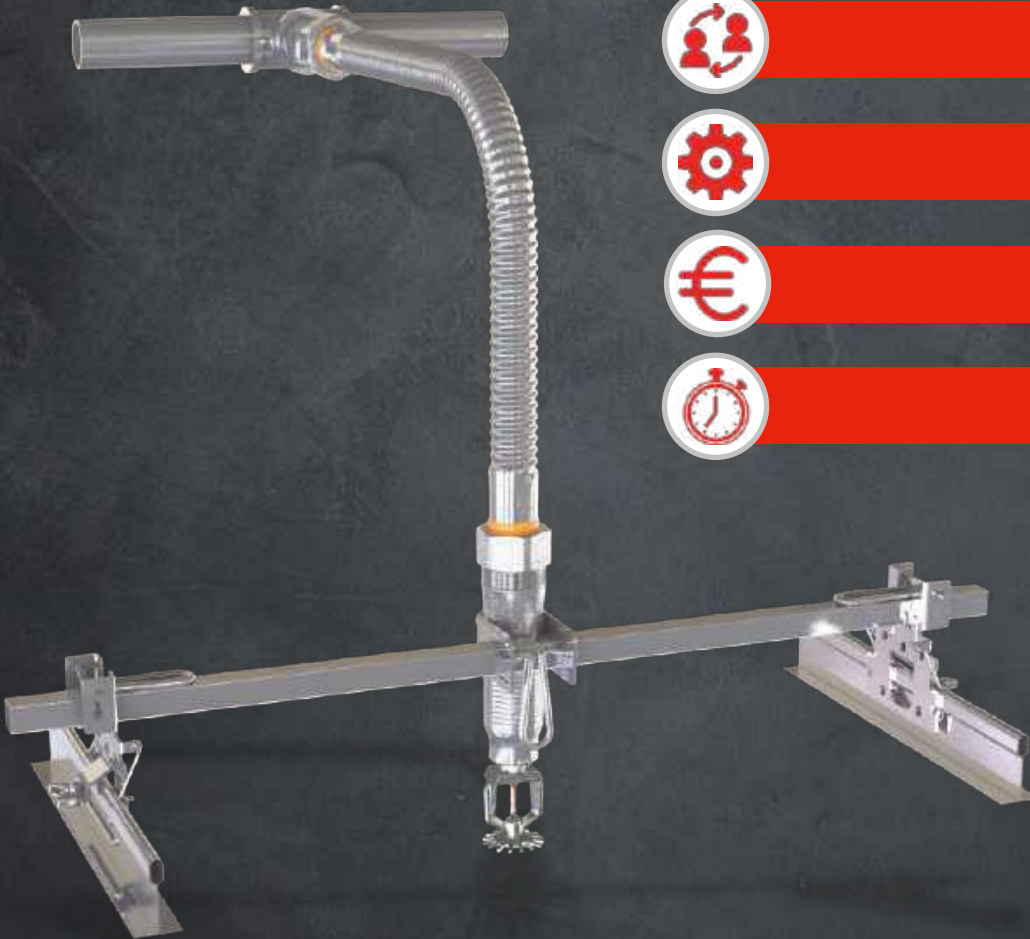
AFFORDABILITY



NO PIPE CUTTING

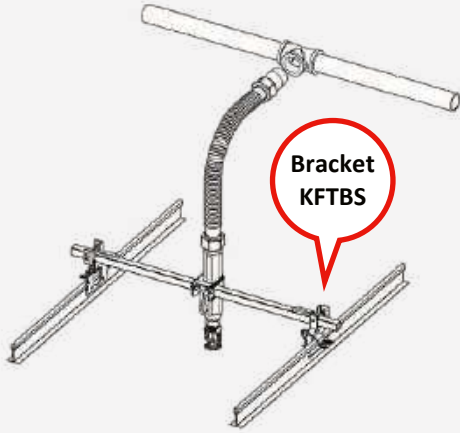


NO CORROSION



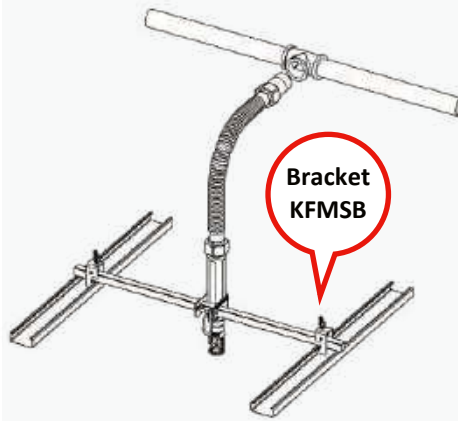
For each ceiling, a solution!

Ceiling tile (600x600)



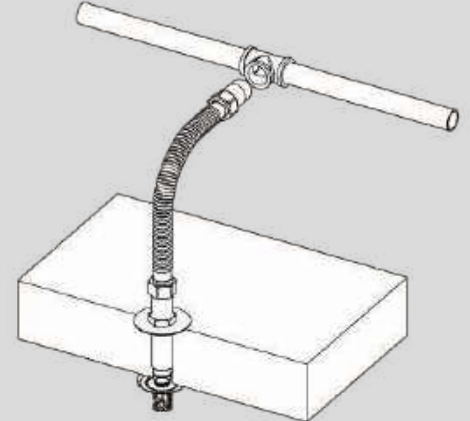
SSP type sprinkler 1/2" or 3/4"

Plasterboard

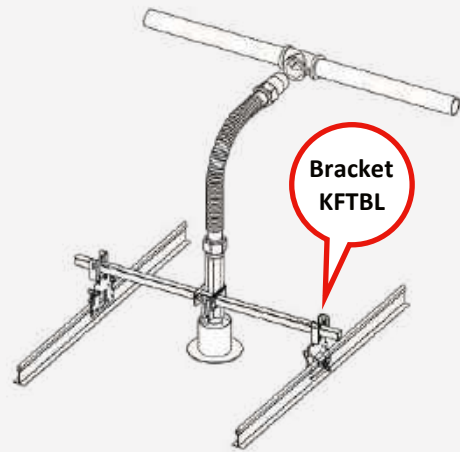


SSP type sprinkler 1/2" or 3/4"

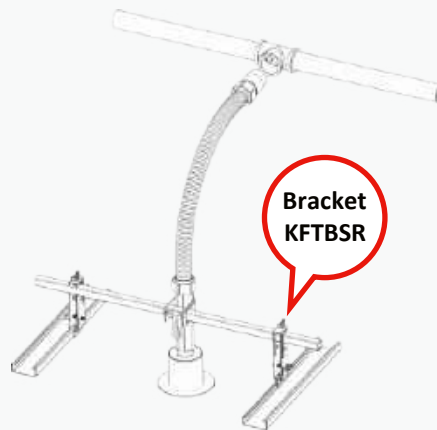
Insulation panel



SSP type sprinkler 1/2" or 3/4"

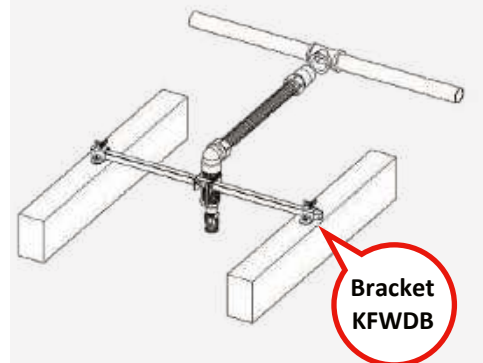


Concealed type sprinkler

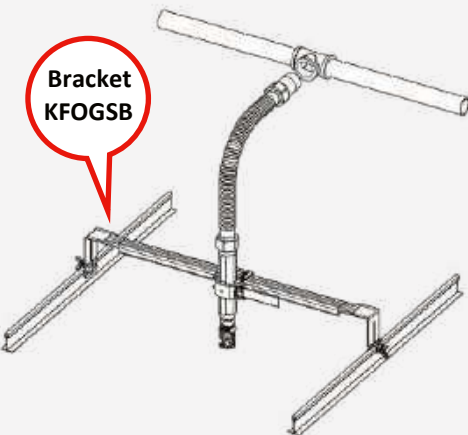


Concealed type sprinkler

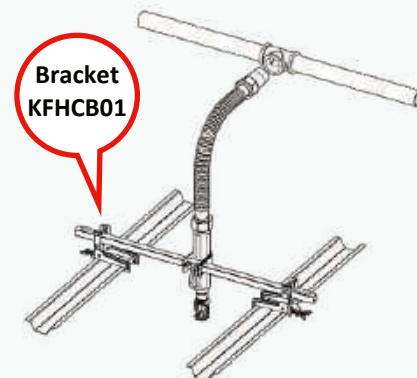
Other assemblies



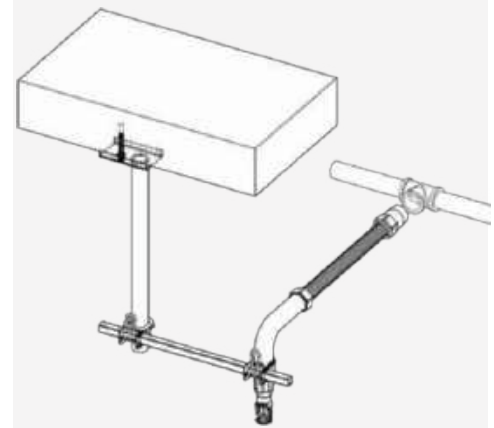
Assembly on wood beam, sheet metal, ...



SSP type sprinkler 1/2"



Assembly for Omega type rail



Assembly with riser fixed on ceiling

FLEXIBLE

Braided flexible FM*, UL, VDS approved.

Unbraided flexible UL approved.

Flexible device available in length of :
0,70 / 0,78* / 0,91* / 1.00 / 1,22+* / 1,52+* / 1.72 / 1.82*



BRACKETS

KFTBS: standard bracket

KFTBL/KFTBSR: bracket for concealed sprinkler

KFMSB: bracket for plasterboard (BA13)

KFWSB: woodbeam stud bracket

KFHCB01: special bracket



STOCK BAR

Stock bar available in lengths of :

0.64m 1.00m 1.20m 1.60m

other length on request



NIPPLE

KFN1: Standard nipple 1"

KFN114: Nipple 1"1/4



REDUCER

For sprinkler 1/2" (lg 115 / 170 or 200 mm)

For sprinkler 3/4" (lg 115 or lg 170mm)

Short Elbow reducer (92mm) 1/2" or 3/4"

Standard Elbow reducer (130mm) 1/2" or 3/4"

Long Elbow reducer (150mm) 1/2" or 3/4"

Extra long Elbow reducer (170mm) 1/2"

1" thread reducer 170mm x 1/2" or 3/4"

1" thread reducer 200mm x 1/2"



OTHER ACCESSORIES

Center bracket ref. **KFSSB / KFSSB02**

Snap clamp ref. **KFOSSB**

gasket flexible ref. **KFJF**



SPECIAL

Grid drop bracket 61cm (brackets, bar, snap clamp assembly). Ref. : **KFOGSB**



Minimum radius indicator for flexibles.

UL radius indicator ref. : **Not available**

FM radius indicator ref. : **KFBGAB**





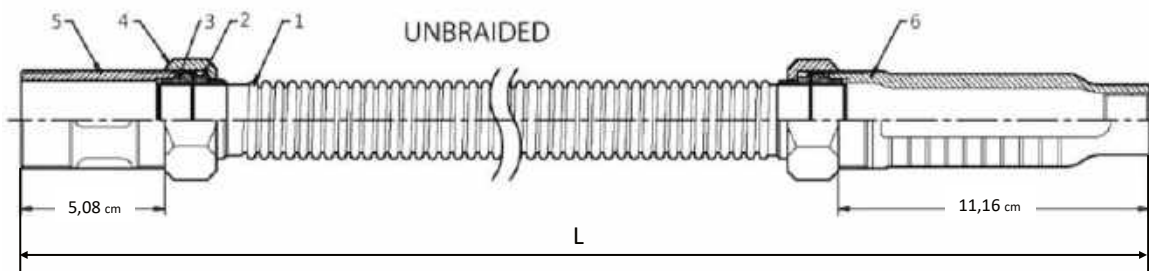
UNBRAIDED



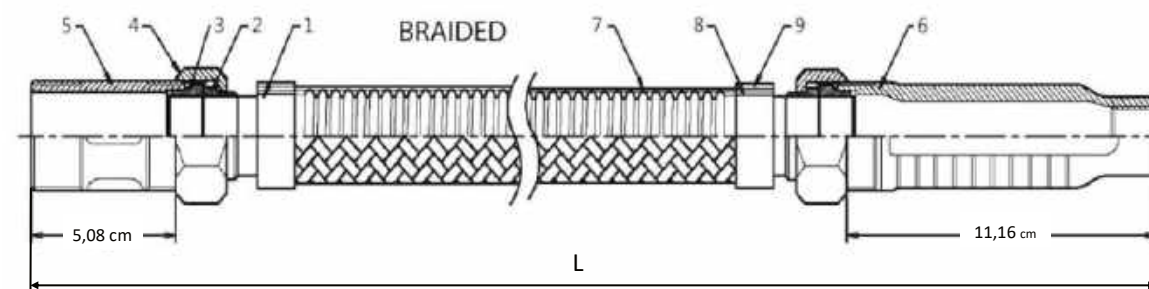
BRAIDED

FLEXIBLE HOSE DATA SHEET

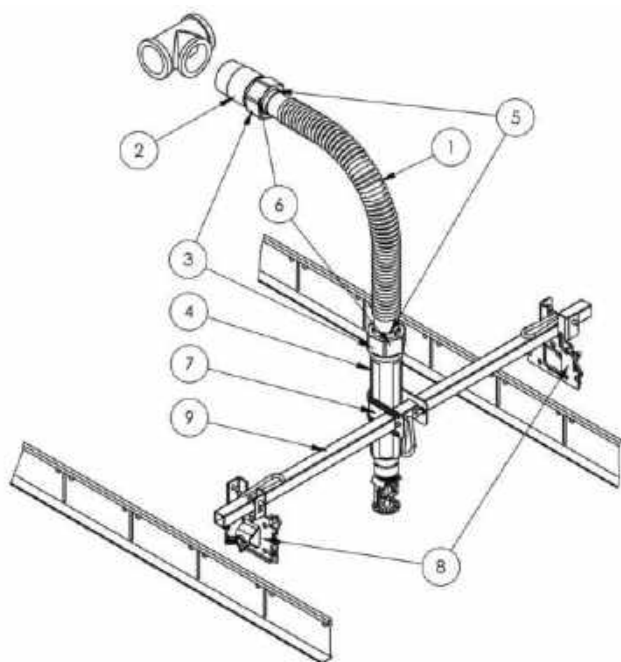
Hose / braid material	Stainless steel 304	
Diameter	DN25 (K80 and K115)	
Flexible type	Braided: FM / UL / VDS	Unbraided: UL
Ambient temperature rating	107.22°C maximum	
Max working pressure	12 bars	
Hose lengths (L)	UL	0,71 / 1,00 / 1,222 / 1,52 / 1,82m
	FM	0,780/ 0,91 / 1.222 / 1,52 / 1,82m
Minimum bend radius	203.2 mm (FM)	101.6 mm (UL braided) 101.6 mm (UL unbraided)
Outlet	1/2" or 3/4"	
K-factor	K80 (5.6) / K115 (8.0) / K200 (14) type HP braided	
Tightening torque	67 N.m	



1. TUBE
2. ISOLATION RING
3. SEALING GASKET
4. NUT
5. NIPPLE (1")
6. REDUCER



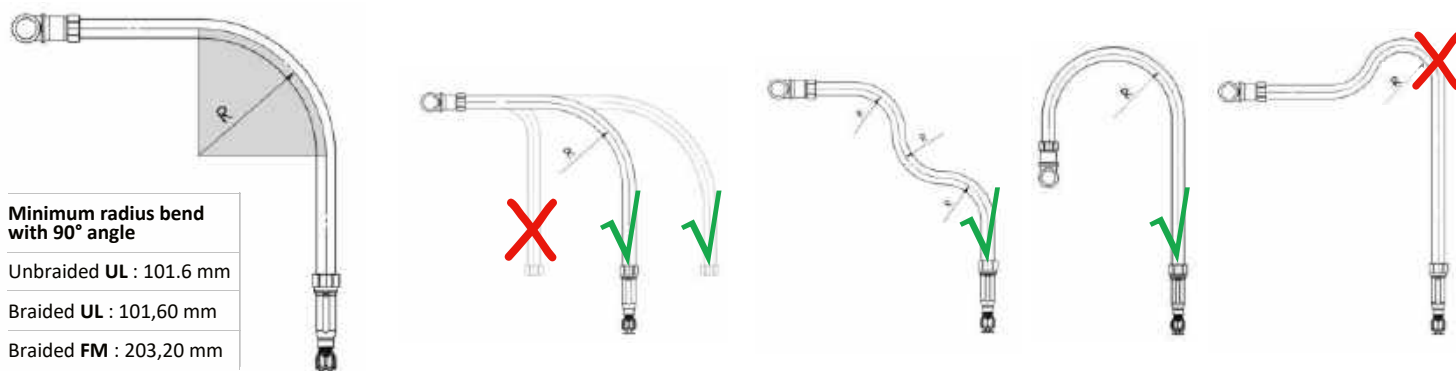
1. TUBE
2. ISOLATION RING
3. SEALING GASKET
4. NUT
5. NIPPLE (1")
6. REDUCER
7. BRAID
8. PRESS RING (INNER)
9. PRESS RING (OUTER)



N°	Description	Matter
1	Flexible hose	Stainless steel 304
2	Nipple	Carbon steel zinc plated
3	Nut	Carbon steel zinc plated
4	Reducer	Carbon steel zinc plated
5	Nylon isolation ring	Nylon
6	Joint	NBR
7	Central Bracket	Mild steel zinc plated
8	Standard bracket	Mild steel zinc plated
9	Stock bar	Mild steel zinc plated

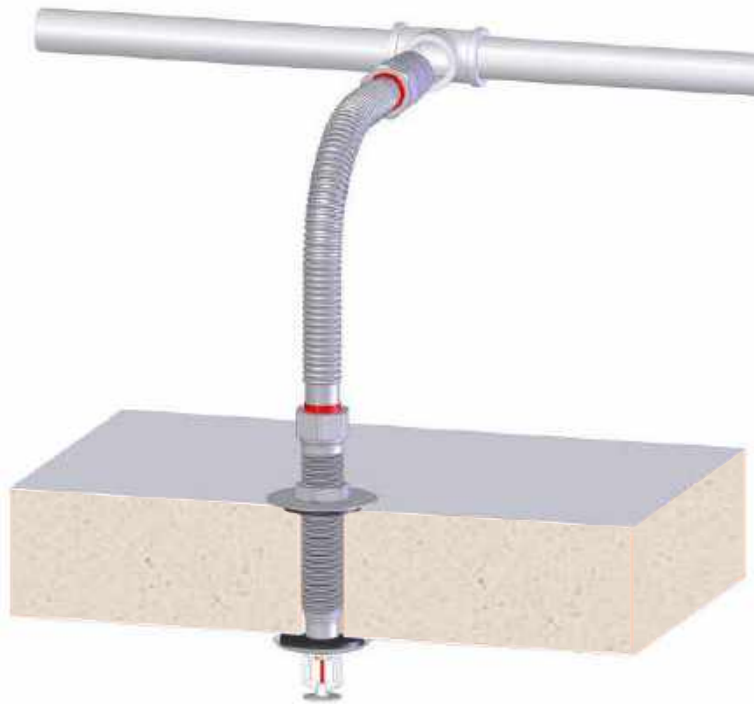
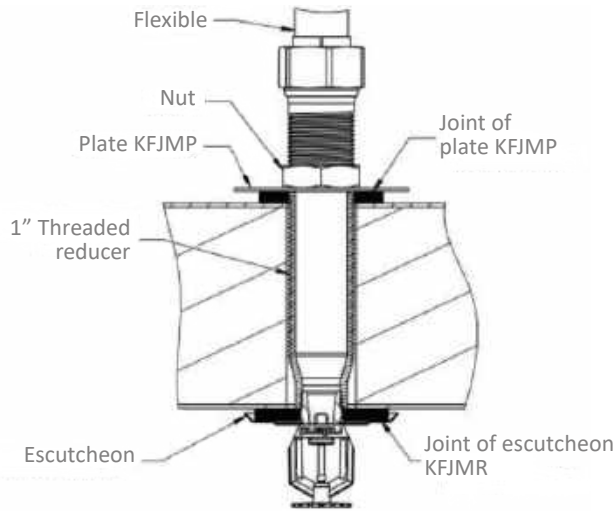
Use: Flexible suitable with air and water systems.
The use of additive such as glycol is allowed check with installations rules (APSA R1; NF EN; CEN; CEA; NFPA; FMG).

Length m	Model	Outlet / K factor	BRAIDED FLEXIBLE (EFB)				UNBRAIDED FLEXIBLE (EFU)			
			Number of 90° bend	Minimum radius bend		Equivalent length of 1"Schedule 40 pipe (m)		Minimum radius bend	Equivalent length of 1" Schedule 40 pipe (m)	Number of 90° bend
				UL/FM	UL	FM	UL			
0.78	EFB/U231	1/2" / K80	2 / 1	101.6 mm	203 mm	8.23	10.0	101.6 mm	8.23	2
	EFB/U331	3/4" / K115	2 / 1	101.6 mm	203 mm	9.14	7.7	101.6 mm	9.14	2
0.91	EFB236	1/2" / K80	2	101.6 mm	203 mm	9.45	11.4	/	/	/
	EFB336	3/4" / K115	2	101.6 mm	203 mm	10.36	9.3	/	/	/
	EFB336-HP	3/4" / K200	2	/	203 mm	/	4.1	/	/	/
1.00	EFB/U240	1/2" / K80	3	/	/	/	/	101.6 mm	11.89	3
	EFB/U340	3/4" / K115	3	/	/	/	/	101.6 mm	12.19	3
1.22	EFB/U248	1/2" / K80	3	101.6 mm	203 mm	14.63	16.7	101.6 mm	14.63	3
	EFB/U348	3/4" / K115	3	101.6 mm	203 mm	15.54	14.7	101.6 mm	15.54	3
	EFB348-HP	3/4" / K200	3	/	203 mm	/	6.6	/	/	/
1.52	EFB/U260	1/2" / K80	4	101.6 mm	203 mm	18.29	22.1	101.6 mm	18.29	4
	EFB/U360	3/4" / K115	4	101.6 mm	203 mm	19.81	20.1	101.6 mm	19.81	4



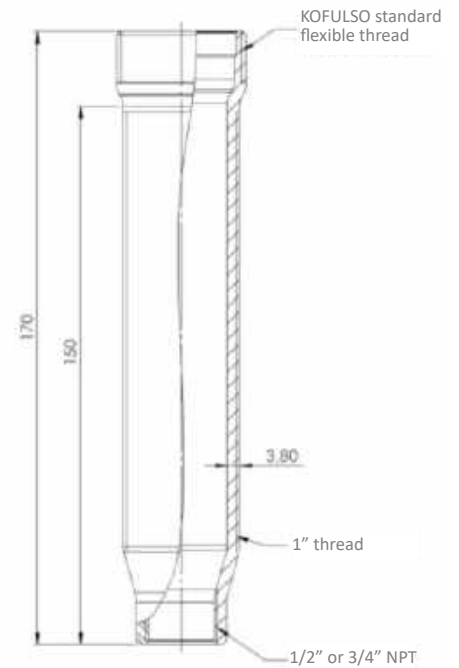
**Minimum radius bend
with 90° angle**
Unbraided **UL** : 101,6 mm
Braided **UL** : 101,60 mm
Braided **FM** : 203,20 mm

Specially designed to address the installation challenges of sprinkler heads with flexible hoses on ceilings with insulated paneling (clean room, positive cold room, etc.), this complete kit will adapt simply, quickly, and cleanly to all existing installations.*



SANDWICH PANELS KIT COMPOSITION

- 1 nipple 1"
- 1 flexible device
- 1 threaded 1" reducer of 170mm
- 1 nut
- 1 plate or 1 puzzle plate (option)
- 1 joint of plate CR
- Option : 1 joint of escutcheon and 1 escutcheon**



- Reducer 170 x 1/2" Ref. KF17FI
- Reducer 170 x 3/4" Ref. KF17FI3/4
- Reducer 200 x 1/2" Ref. KF20FI

*This mounting is not approved by FM / UL, only the hoses and nipples are. We recommend checking with your insurer for acceptance

CHARACTERISTIC OF JOINTS KFJMP / KFJMR

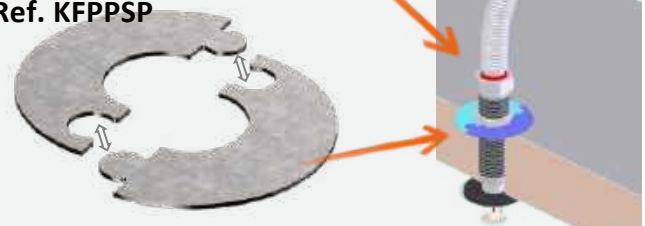
Material	Neoprene rubber structure Closed cell CR - NBR 150
Temperature	-40°C / + 120°C
Fire resistance	UL94 - HF1 - de 2 à 8 mm
Reacting to fire / smoke	M2 / F3
Tchickness gasket	6 mm

2 DIFFERENTS ASSEMBLIES IN CHOICE

Ref. KFPPS



Ref. KFPPSP

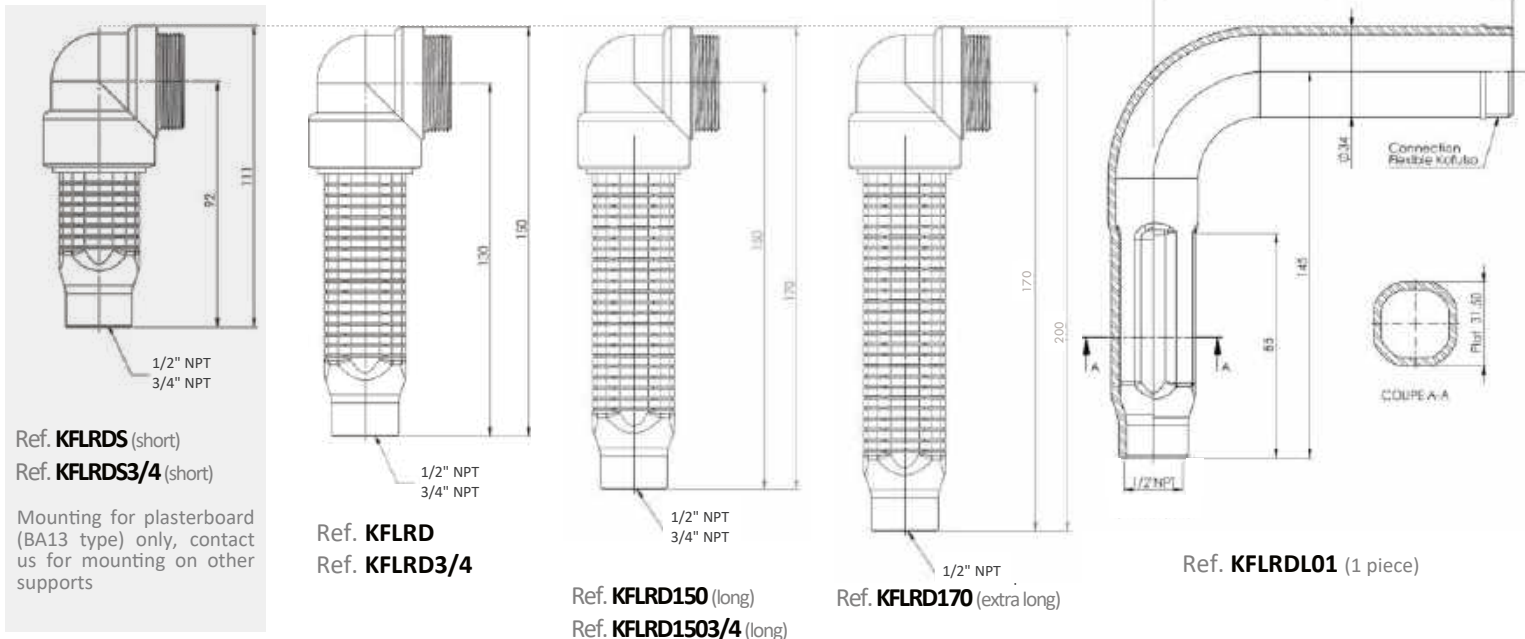
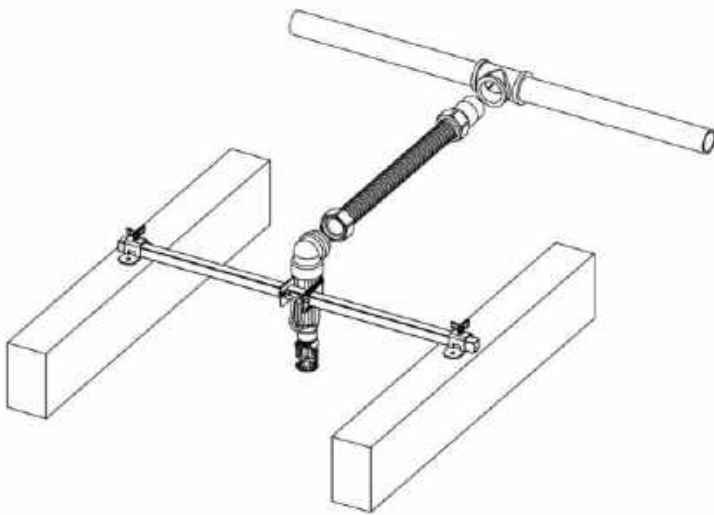


Puzzle pressure plate, extension installation from beneath insulated panel (e.g., absence of aerial lift).

Elbow/reducer for braided (FM) or unbraided (UL) flexible, allowing to carry out the assembly in restricted spaces (eg: very low height under ceiling)

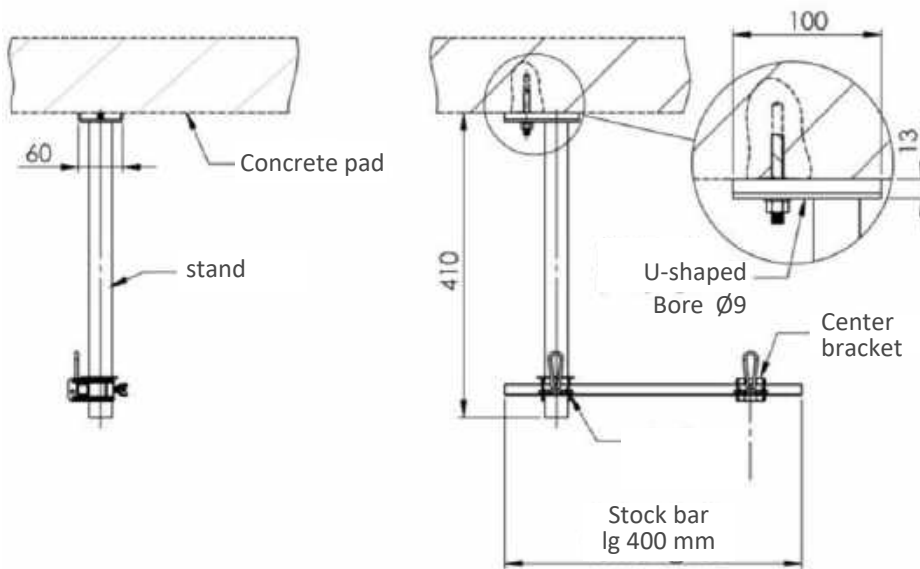
TECHNICAL SPECIFICATIONS

Material	Carbon steel
Finish	Zinc plated 8µm
Inlet	1/2" NPT or 3/4" NPT



Mounting ceiling tile, plasterboard, consult us for mounting on another support

Especially studied to deal with sprinklers heads with flexible devices installation problems on ceilings without using the classical brackets, or having small overall dimensions. This support kit is compatible with the whole of the flexible devices of the KOFULSO/Easyflex range.

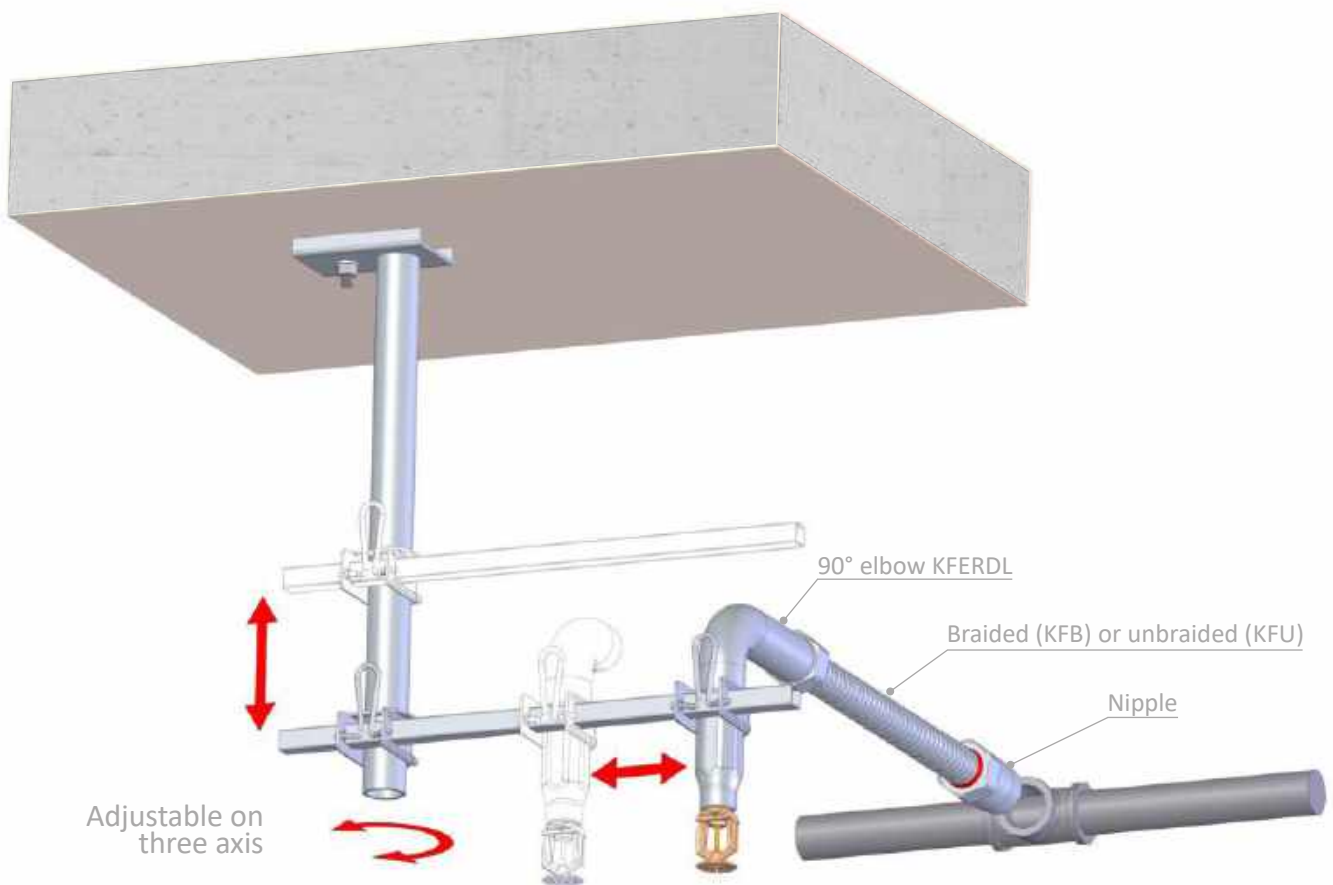


KFCBP COMPOSITION KIT

- 1 steel stand
- 1 stock bar
- 1 reinforced center bracket
- 1 standard center bracket

Material	Steel
Finish	Zinc plated

* This assembly has no approval. The flexible device, the lengthening-piece and the nipple have the same components as the approved products. We recommend to check acceptance with your insurer.





TECHNICAL CHARACTERISTICS

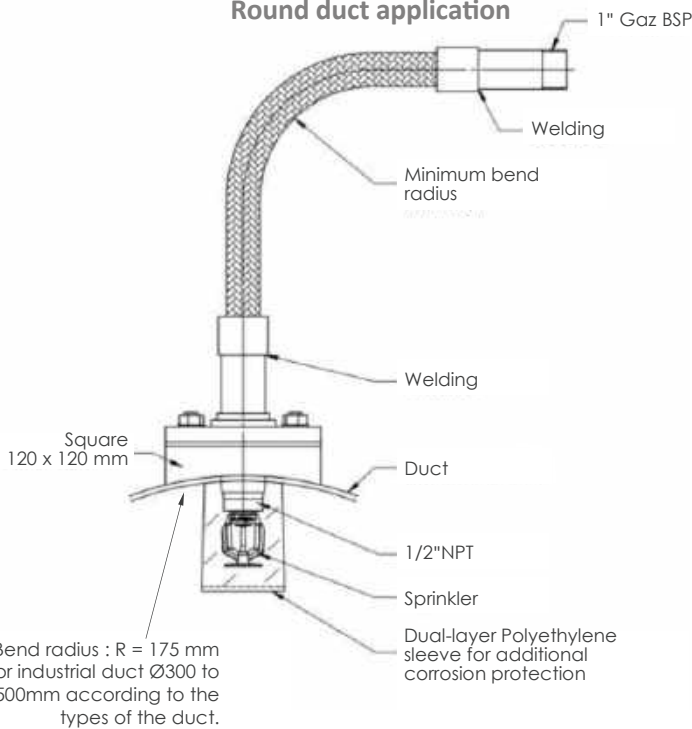
Flexible materials	Stainless Steel 304
Nut & nipple materials	Stainless Steel 304
Flexible diameter	DN25
Type	Braided (FM approved)
Max. operating pressure	12 bars
Max. ambient Temp.	107.2°C
K factor	K80 / 5.6
Box type (ABS / PVC or PP)	Flat or curved



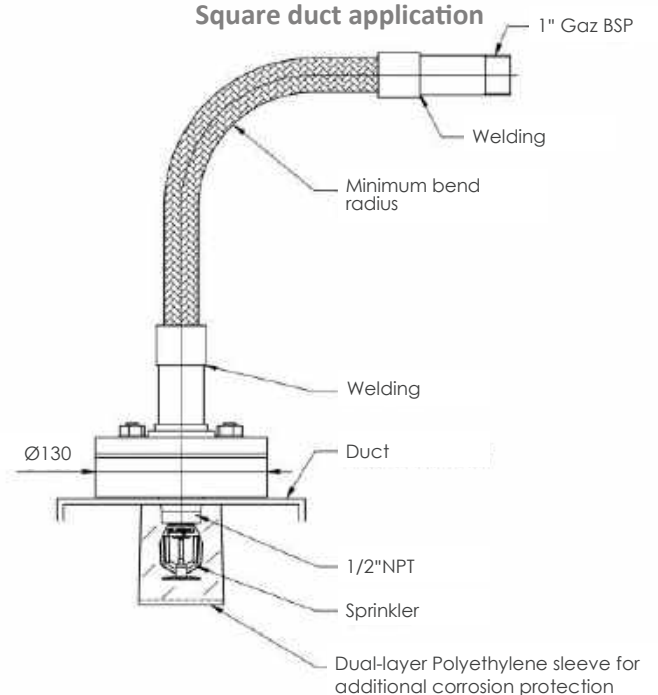
Lengths in m	Connection (outlet)	Approved	max. of bend	Max. bend radius	Equivalent length of 1" Schedule 40 pipe in m
1.190	1/2" NPT	FM (model EFDS / EFDC)	2	203 mm	8.9



Round duct application



Square duct application



Time-saver! Labour forces gains ! Financial profit !

1/ Inspect the KOFULSO/EASYFLEX sprinkler drop system components for any sign of physical damage.

2/ Disconnect the inlet nipple and outlet reducer from the flexible hose and check that a sealing gasket is in each place properly. Reconnect outlet reducer to the flexible hose.

3/ Apply 7 to 10 wraps of PTFE tape on the inlet nipple thread. Use pipe wrench to connect the inlet nipple to the branch line. Torque should be minimum of 67 to maximum of 78 N.m.

4/ Use the pipe wrench to connect the flexible hose to the outlet nipple. Torque range should be a minimum of 67 to maximum of 78 N.m.

⚠ DO NOT bend the flexible hose at the join point between the straight (near inlet/discharge nipple and the corrugation (minimum distance 64 mm)

⚠ DO NOT use PTFE tape on the outlet nipple thread to connect to the flexible hose.



5/ Attach TBS mounting bracket to the T-bar ceiling grid. Fasten TBS bracket into the T-bar. Hand tighten the wing bolt on the TBS bracket to tightly secure on the grid. Insert stock bar into the TBS mounting brackets.



⚠ DO NOT over tighten the wing bolt with tools. This may cause damage to the wing bolt.

6/ Insert stock bar through the SSB center snap clamp bracket.

7/ Hand tighten the wing bolt on the TBS bracket to tightly secure on the grid. Adjust the stock bar for proper position and push the levers in TBS bracket towards the inside of the configuration to secure with stock bar.



8/ Place the Ssb center bracker at the desired position and insert the outlet reducer from the flexible hose into the SSB. Adjust height for proper position and push down the lever of the SSB to secure the hose in place.



9/ Install sprinkler head. Use PTFE tape or a non-hardening pipe-joint compound. Refer to the NFPA guidelines and sprinkler head manufacturer's installation instruction for proper installation.

10/ Check that all elements are in place and secured.

⚠ Never handle flexible hoses when the water system is pressurized.

Info

Sprinkler monitoring



waterflow detectors

Available from DN50 to DN200 / Universal locking collar / Very resistant (NEMA4 rated) / Large imer dial and easy to turn and adjust / Operating range from 0°C to 66°C / Flow rate 15 to 38 l/mn(UL/FM) / maximum operating pressure 17,25 bars



Connection 1/2" NPT male / one or two contact / large imer dial and easy to turn adjust / for dry or wet automatic sprinkler system.

EPS Pressure switche



Connection 1/2" NPT male / two contacts / NEMA 4 for indoor or outdoor use / For post indicator or butterfly control valves.

PIBV2 supervisory switch



Connection 1/2" NPT male / for 1" to 12" yoke OS&Y type gate valve / two contacts / vertical or horizontal mounting

OSY supervisory switche

Why choose us ?

Since over 25 years, ROLLAND Arroseurs/Sprinkler has been the only French manufacturer of sprinkler. With all our knowledge, we have selected for you a wide range of very high quality products around the world of sprinkling: *flexible, alarm valve, escutcheon, butterfly valve, telescope pipe, etc ...*



Waterflow detector CE / FM



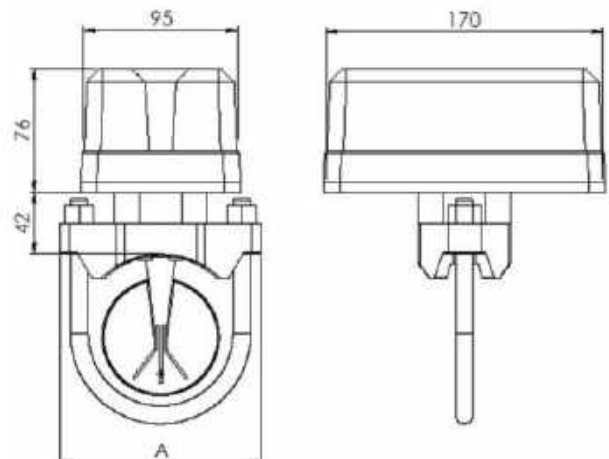
TECHNICAL CHARACTERISTICS

Contact rating	10.0 A to 125/250 V 2.5 A to 25 VCC
Maximum working pressure	17.25 bars
Maximum test pressure	34.5 bars
Flow rate (L/min)	CE: 20 to 57 UL/FM: 15 to 38
Temperature	0°C to +49°C
Classification	IP54



Description

- Trademark: System Sensor®
- The waterflow detector WFD is designed to ring the alarm when water is flowing in a 2" to 8" pipe for WFD type and smaller for WFDT type. A time delay is field adjustable in order to avoid false alarms due to water flowing very shortly (factory pre set delay is 30 seconds)
- The delay mechanism is protected by a durable tamper resistant enclosure.
- Waterflow activation is simultaneously sent to the alarm panel and the local electric ring when those are correctly wired.



Models	DN (mm)	Pipe			Dimension		Weight (kg)
		Ø (mm)	Wall thickness (mm)	Hole size (mm)	A (mm)		
WFD20EN	50	60.3	2.6-3.6	32	117.0	1.85	
WFD25EN	65	76.1	2.6-3.6	32	117.0	1.85	
WFD30-2EN	80	88.9	2.9-4.0	32	132.0	2.05	
WFD40EN	100	114.3	3.2-4.5	51	172.0	2.36	
WFD50N	125	139.7	-	51	200.0	2.77	
WFD60EN	150	168.3	4.0-5.0	51	229.0	3.03	
WFD80E	200	219.1	4.5-6.3	51	273.0	3.45	
WFDTN	For small diameters - Threaded connection						

Supervisory products

Waterflow detector CE / UL / FM



modèle
WFDTN

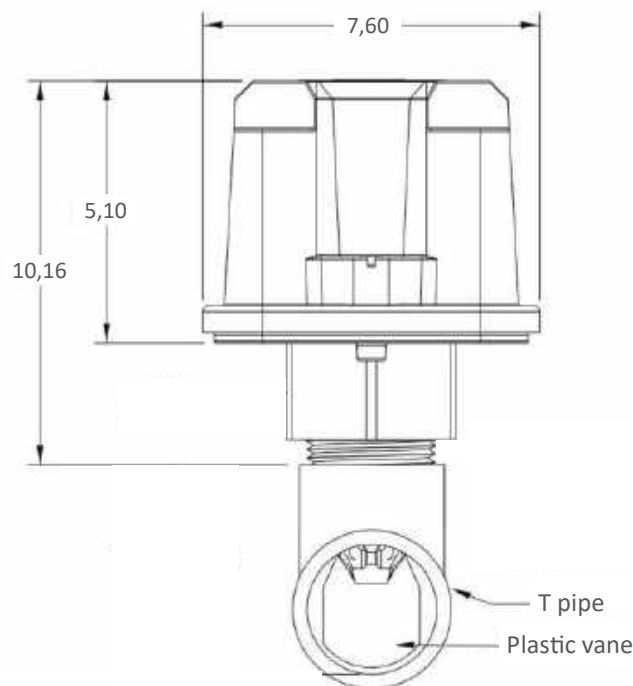
TECHNICAL CHARACTERISTICS

Maximum working pressure	25.85 bars
Pressure connexion (NPT)	1"
Interchangeable pallet provided for pipe ø (")	1" - 1½" - 1¾" - 2"
Compatibility T tubes (")	1" - 1½" - 1¾" - 2" et T NIBBCO / TYCO et CPVC
Contact rating (SPDT form C)	10.0 A, ½ à 125/250 VAC 2.5 A à 6/12/24 VDC
Delay adjustment (second)	0 to 90
Flow rate (L/min)	UL/FM: 15 to 38
Operating temperature	0°C to +49°C
Classification	IP56



Description

- Trademark: System Sensor®
- The waterflow detector WFDT is designed to ring the alarm when water is flowing in a 1" to 2" pipe. A time delay is field adjustable in order to avoid false alarms due to water flowing very shortly (factory pre set delay is 30 seconds)
- The delay mechanism is protected by a durable tamper resistant enclosure.
- Waterflow activation is simultaneously sent to the alarm panel and the local electric ring when those are correctly wired.



Supervisory products

Waterflow detector

CE / UL / FM



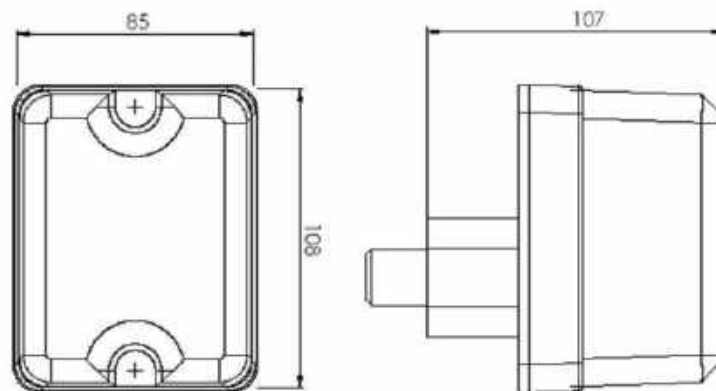
TECHNICAL CHARACTERISTICS

Model EPS10-1	1 set SPDT
Model EPS10-2	2 set SPDT
Contact	10.0 A to 125/250 V 2.4 A to 6/12/24 V
Maximum operating range	17.2 bars
Differential pressure	0.2 bars
Maximum adjustment pressure range	0.28 à 1.38 bars
Factory setting	0.28 à 0.55 bars
Pressure connexion	1/2" NPT mâle
Sizes	130x840x108 mm
Operating temperature	-40°C to +70°C
Weight	0.54 Kg



Description

- Origin: System Sensor®
- The EPS10 series switches are designed to be used in wet, dry, deluge and pre-action automatic sprinkler systems to indicate the discharge of a sprinkler.
- The EPS10.1 has a single SPDT switch while the EPS10.2 model contains two SPDT switches..
- Sensitivity adjustment wheel does not require the use of a tool and can be set manually.
- The reinforced diaphragm resists pressure spikes.



Supervisory products

EPS40 Supervisory pressure switches CE / UL / FM



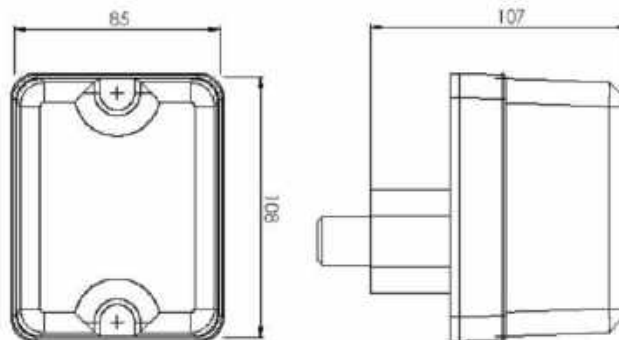
TECHNICAL CHARACTERISTICS

Model EPS40-1	1 set SPDT
Model EPS40-2	2 set SPDT
Contact	10.0 A to 125/250 V 2.4 A to 6/12/24 V
Maximum operating range	17.2 bars
Differential pressure	0.2 to 0.69 bars 0.41 to 6.89 bars
Maximum adjustment pressure range	0.69 à 6.89 bars
Pressure connexion	1/2" NPT mâle
Sizes	130x840x108 mm
Operating temperature	-40°C to +70°C
Weight	0.54 Kg



Description

- Origin: System Sensor®
- The EPS40 series switches are designed to be used in dry pipe systems or pressure tanks and water pressure supplies of automatic water control valves.
- The EPS40.1 has a single SPDT switch while the EPS40.2 model contains two SPDT switches.
- Sensitivity adjustment wheel does not require special tools and can be set manually.
- The reinforced diaphragm resists pressure spikes.
- All models are factory set for use in nominal 2.6 bars system.
- The EPS40-1 is factory set to respond at 2.07 bars at decreasing pressure.
- The EPS40.2 is factory set to respond at 3.45 bars on rising pressure and 2.07 bars at decreasing pressure.
- Rated UL4x, NEMA 4 for indoor or outdoor use.



Supervisory products



TECHNICAL CHARACTERISTICS

Approved	CE / UL / FM
Contact rating	2 set of SPDT 10.0 A to 125/250 V 2.5 A to 6/12/24 V
Maximum stem extension	67 mm
Bracket span	57 x 171 x 25 mm
Mounting	1/2" NPT
Temperature	0°C to +49°C
Sizes	146 x 89 x 82 mm
Weight	1.3 Kg



Description

- Origin System Sensor®
- OSY supervisory switch is used to monitor the open position of an Outside Screw and Yoke (OS&Y) type gate valve.
- Mounting position can be vertical (down) or horizontal but should not be vertical (pointing up).
- It can be fitted on most OSY valves from 1" to 12"
- For indoor and outdoor use (vertical position only).

Supervisory switch for Post indicator / butterfly valve



TECHNICAL CHARACTERISTICS

Approved	FM / UL / CE
Contact rating	2 set of SPDT 10.0 A to 125/250 V 2.5 A to 6/12/24 V
Maximum stem extension	5.4 mm
Mounting	1/2" NPT
Temperature	0°C to +49°C
Sizes	108 x 89 x 82 mm
Weight	0.9 Kg



Description

- Origin: System Sensor®
- The PIBV2 supervisory switch monitors the open position of the post indicator and butterfly control valves.
- Switches shall be mounted so as not to interfere with the normal operation of the valve.
- Conduit entrance: one single side open for 1/2" conduit

Info

Special measuring equipment



Manometer Recorder

The M-ENR measures and records the pressure of liquids and gas. Recording is done with a pen on a paper strip chart type (9x30cm) driven by a quartz movement with battery. Drum rotation can be daily or weekly. These manometer recorder equip alarm valve in fire safety installations.

TECHNICAL CHARACTERISTICS art. M-ENR

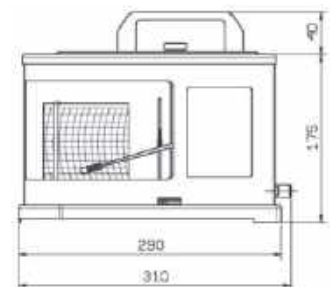
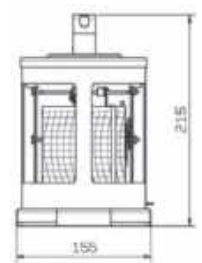
Sensor	316 Stainless steel "Bourdon" tube
Measuring range	Available from 1 bar to 600 bar
Measuring scale	0 - 16 bars
Coupling	Vertical 1/4" gaz M or 1/2" gaz M
Accuracy	Classe 1 according EN 837-1
Movement	Quartz movement with 1,5V battery (AA-LR6)
Operating conditions (°C)	from -10°C to +60°C
Writting system	fibre-tip pen
Speed drive	5mm/h for roll diagram
Cover and housing	304 stainless steel



Weekly chart paper / paper band
/ 9 x 30 cm / scale : 0 - 16 bars.

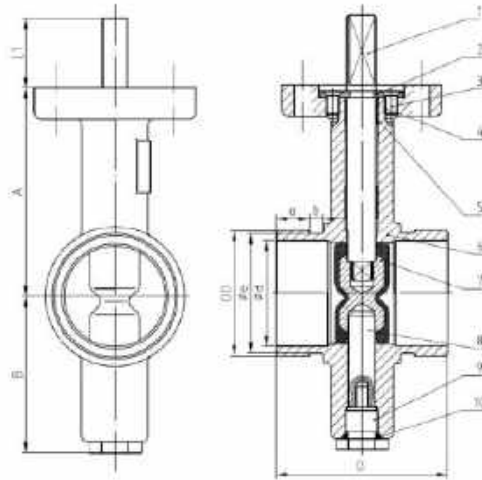


Fibre-tip pen / purple / 22 x 4 mm / life of pen : 120m approximately tracing or 18 month



DIVFEUILLES71

Butterfly valves (wafer and grooved) CE / APSAD/ FM



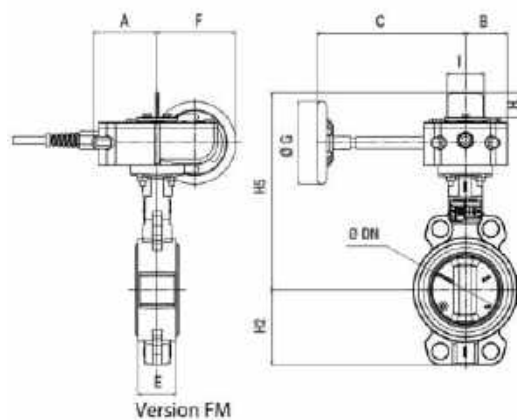
Description

- Nominal Pressure : PN16
- Working temperature : - 20°C à +100°C
- ductil iron body
- ductil iron disc with EPDM coated
- Flag type position indicator
- Internal double supervisory switches
- Standard grooved type
- Equipped with a chain with lock (except for FM model)

This document can be updated without notice.



DN	Reference	A (mm)	B (mm)	D (mm)	OD (mm)	L1 (mm)	a (mm)	ød (mm)	B (mm)
50	VANNPAPR2E	100	70.0	82.4	60.3	32	15.88	50.8	8
80	VANNPAPR3E	112.5	82.0	96.8	88.9	32	15.88	76.2	8
100	VANNPAPR4E	135	100.0	115.8	114.3	32	15.88	99.5	9.53
150	VANNPAPR6E	176	130.0	147.6	168.3	32	15.88	152.4	9.53
200	VANNPAPR8E	204	162.0	133.4	219.1	40	19.1	203.2	11.1
250	VANNPAPR10E	228.1	200.0	158.8	273.0	40	19.1	253	12.7
300	VANNPAPR12E	266.2	224.0	163.6	323.9	40	19.1	303	12.7



Description

- Nominal Pressure : PN16
- Working temperature : - 15°C à +110°C
- ductil iron body
- Iron disc EPDM coated
- Universal wafer type
- Flag type position indicator
- Internal double supervisory switches
- Standard flange type

This document can be updated without notice.



DN	Reference	A (mm)	B (mm)	C (mm)	F (mm)	H (mm)	H2 (mm)	H5 (mm)	Poids Kg
50	VANNPAPW2E	74	40	168	93	50	62	238	5.1
65	VANNPAPW21/2E	74	40	168	93	50	70	247	5.5
80	VANNPAPW3E	74	40	168	93	50	89	253	5.8
100	VANNPAPW4E	74	40	175	105.5	50	106	277	7.7
125	VANNPAPW5E	74	40	175	105.5	50	120	292	9
150	VANNPAPW6E	74	40	175	105.5	50	131	305	10
200	VANNPAPW8E	100	70	228	145	40	164	386	24.5
250	VANNPAPW10E	100	70	228	145	40	200	411.5	30.8

Butterfly valves

General terms and conditions of sale

The general terms of sale here included apply to all orders received after the issue of this price list; they are subject to variations without any notice and they will be regarded as fully accepted once the order is placed.
These general conditions cancel all previous ones and are subject to changes without any previous notice.

CATALOGUE AND DOCUMENTATION:

The information contained in our catalogues, documentation and prospectuses is provided for information purposes only and without commitment on our part. They don't can commit us permanently and we reserve the right to make any changes.

OFFER PRICES:

The possible technical studies and offer prices will be elaborated starting from elements given by the customer under his single responsibility. Our company establishes those studies and offer prices as simple information only. It is up to the buyer to proceed beforehand under his whole and sole responsibility for identifying needs, collecting and verifying technical information relevant to the establishment of the order and the realization of its installation. In other words, ROLLAND Sprinklers/Sprinklers cannot be held liable for errors of choice and/or design attributable to the customer as well as any direct or indirect damages resulting from these same errors.

ORDER:

Orders sent to us are always understood subject to the acceptance of ROLLAND Sprinklers/ Sprinklers. This can only result from the issue of an order acknowledgement or the direct execution of the order. Minimum order 40 € net tax in France, 300 € to export. In case of non-compliance with the minimum order, a 15€ billing fee will be applied.

PRICES:

our prices are fixed according to the current price list. They are provided for information only and subject to change without notice following our purchases. Please ask for a confirmation or quote before ordering. ROLLAND Sprinklers/Sprinklers reserves the right to pass on increases intervening in the meantime.

DELIVERY CONDITION:

Except for express acceptance by our company, delays cannot justify the cancellation of the order nor give rise to damages or penalties. Goods are sold ex works Mognard (France). Insurance is provided only if requested and is charged to the buyer.

FORWARDING:

Goods will be transported at the customer's own risk, even when they are sent duty free, and the customer will act according to article 105 of the French commercial law code.

PAYMENTS TERMS:

Goods are payable in advance unless stipulated otherwise from our part. To be agreed upon: bank transfer, bank draft, irrevocable & confirmed L/C. The disregard of the payments authorizes us to suspend backlog of orders and to demand the payment of the current invoices. In case of late payment we will apply penalties according to the current bank taxes starting from the unaccomplished date. In case of delayed payment, all the expenses related to the collection of due sums will be at customer's charge.

WARRANTY:

Our products have a legal guarantee. The Limited Warranty covers only defects arising under normal use and does not include malfunctions or failures resulting from misuse, abuse, neglect, use not in accordance with product guidelines, acts of nature or improper installation. The guarantee applies only to the exchange or to the pure and simple restoration of the defective article and on no account would include expenses of dismantling and reassembly, or expenses or damages caused by the malfunction of the device. The technical advice which we are asked to give, either directly, by the intervention of our representatives, or in the guidelines, do not engage our responsibility. The characteristics of our devices are given only as a rough guide. The buyer will have to justify the alleged grievances and will have to leave to the seller any facility to proceed to the finding of these defects. Shipping is the sole responsibility of the customer who will deal personally with any appeal against carriers, and will act according to the article 105 of the French commercial law code.

RETURN PRODUCTS:

No return can be made without first receiving the agreement of ROLLAND Sprinklers/ Sprinklers. This agreement can only be given as exceptional, within three months from the delivery of the products, provided that the products are new in their packaging original. The products must be returned to our factory following the incoterm «delivered duty paid» The return of the products is made at the purchase price charged minus a discount, the amount of which is communicated to the buyer in our return authorization, and takes the form of a non-refundable credit note.

FORCE MAJEURE:

any unforeseeable, irresistible and beyond the control of the parties that prevents or reduces the manufacture and/or performance is considered as force majeure and discharge ROLLAND Sprinklers/Sprinklers from the obligation to deliver.

COLLECTIVE PROCEDURE:

The buyer undertakes to notify ROLLAND Sprinklers/Sprinklers in writing and immediately in the event of a collective proceeding against him.

RESERVE OWNERSHIP:

Products delivered will remain in our own property until the total payment is settled (law n° 80-335 on 12/05/1980).

INTELLECTUAL PROPERTY:

The purchaser commits himself to respect every intellectual property laws of our company of which he states to have perfect knowledge.

DATA PROTECTION:

ROLLAND Arroseurs/Sprinklers protects the personal data of the Customer. The Customer has the right to access, modify, rectify and delete personal data that he communicates to ROLLAND Arroseurs/Sprinklers. The Customer may exercise this right by sending a written request to ROLLAND Sprinklers / Sprinklers.

COURT OF LAW:

The court of Chambéry will have sole jurisdiction for all disputes even in case of warranty appeal or plurality of defendants. French law is only applicable.

**SERVICE,
QUALITY
AND
RESPONSE**

**are our absolute
priorities
because safety
comes first !**



**www.rolland-sprinklers.com
info@rolland-sprinklers.com**

