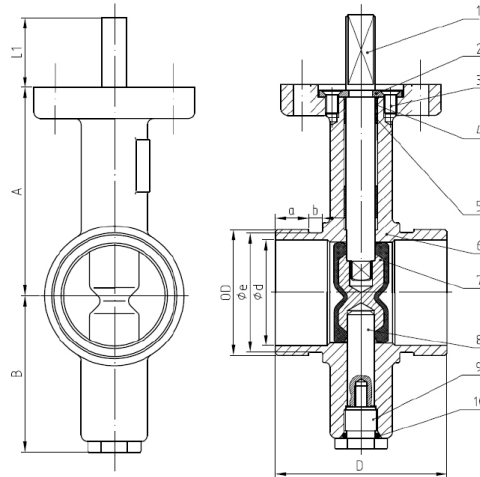


Butterfly valves (wafer and grooved) CE / APSAD/ FM



Description

- Nominal Pressure : PN16
- Working temperature : - 20°C à +100°C
- ductil iron body
- ductil iron disc with EPDM coated
- Flag type position indicator
- Internal double supervisory switches
- Standard grooved type
- Equipped with a chain with lock (except for FM model)

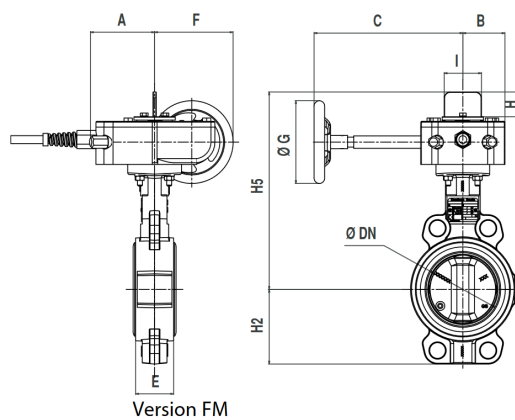
This document can be updated without notice.



Available with



DN	Reference	A (mm)	B (mm)	D (mm)	OD (mm)	L1 (mm)	a (mm)	ød (mm)	B (mm)
50	VANNPAPR2E	100	70.0	82.4	60.3	32	15.88	50.8	8
80	VANNPAPR3E	112.5	82.0	96.8	88.9	32	15.88	76.2	8
100	VANNPAPR4E	135	100.0	115.8	114.3	32	15.88	99.5	9.53
150	VANNPAPR6E	176	130.0	147.6	168.3	32	15.88	152.4	9.53
200	VANNPAPR8E	204	162.0	133.4	219.1	40	19.1	203.2	11.1
250	VANNPAPR10E	228.1	200.0	158.8	273.0	40	19.1	253	12.7
300	VANNPAPR12E	266.2	224.0	163.6	323.9	40	19.1	303	12.7



Description

- Nominal Pressure : PN16
- Working temperature : - 15°C à +110°C
- ductil iron body
- Iron disc EPDM coated
- Universal wafer type
- Flag type position indicator
- Internal double supervisory switches
- Standard flange type

This document can be updated without notice.



Available with



DN	Reference	A (mm)	B (mm)	C (mm)	F (mm)	H (mm)	H2 (mm)	H5 (mm)	Poids Kg
50	VANNPAPW2E	74	40	168	93	50	62	238	5.1
65	VANNPAPW21/2E	74	40	168	93	50	70	247	5.5
80	VANNPAPW3E	74	40	168	93	50	89	253	5.8
100	VANNPAPW4E	74	40	175	105.5	50	106	277	7.7
125	VANNPAPW5E	74	40	175	105.5	50	120	292	9
150	VANNPAPW6E	74	40	175	105.5	50	131	305	10
200	VANNPAPW8E	100	70	228	145	40	164	386	24.5
250	VANNPAPW10E	100	70	228	145	40	200	411.5	30.8

Butterfly valves