

Waterflow detector CE / UL / FM



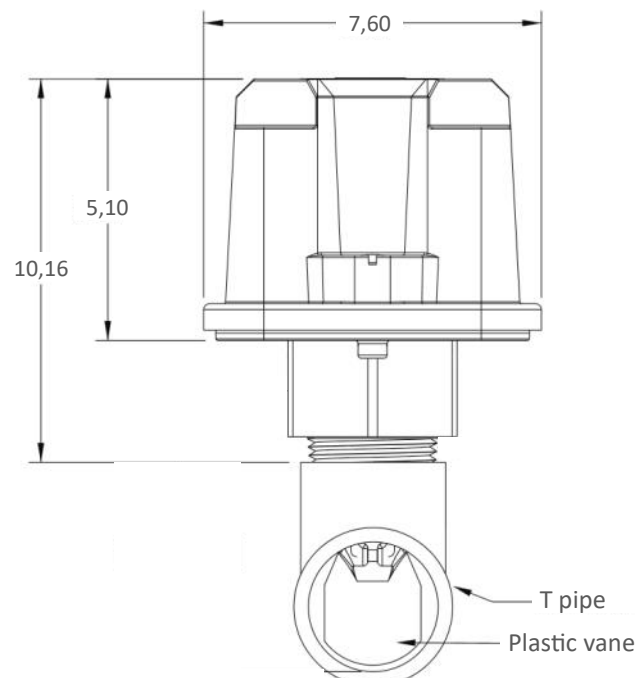
TECHNICAL CHARACTERISTICS

Maximum working pressure	25.85 bars
Pressure connexion (NPT)	1"
Interchangeable pallet provided for pipe \varnothing (")	1" - 1"½ - 1"¾ - 2"
Compatibility T tubes (")	1" - 1"½ - 1"¾ - 2" et T NIBBCO / TYCO et CPVC
Contact rating (SPDT form C)	10.0 A, ½ à 125/250 VAC 2.5 A à 6/12/24 VDC
Delay adjustment (second)	0 to 90
Flow rate (L/min)	UL/FM: 15 to 38
Operating temperature	0°C to +49°C
Classification	IP56



Description

- Trademark: System Sensor®
- The waterflow detector WFDT is designed to ring the alarm when water is flowing in a 1" to 2" pipe. A time delay is field adjustable in order to avoid false alarms due to water flowing very shortly (factory pre set delay is 30 seconds)
- The delay mechanism is protected by a durable tamper resistant enclosure.
- Waterflow activation is simultaneously sent to the alarm panel and the local electric ring when those are correctly wired.



Supervisory products