

# Waterflow detector CE / FM



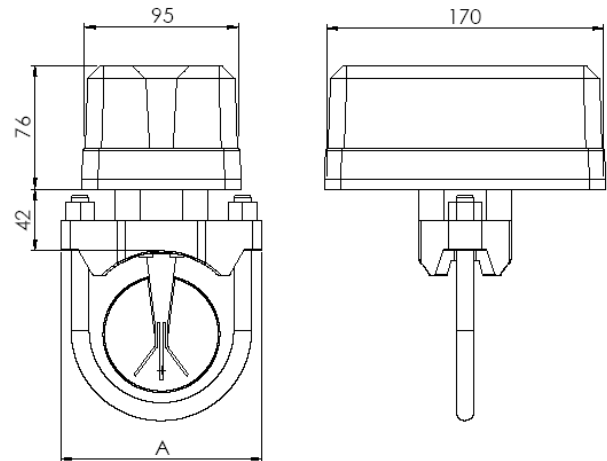
## TECHNICAL CHARACTERISTICS

Contact rating	10.0 A to 125/250 V 2.5 A to 25 VCC
Maximum working pressure	17.25 bars
Maximum test pressure	34.5 bars
Flow rate (L/min)	CE: 20 to 57 UL/FM: 15 to 38
Temperature	0°C to +49°C
Classification	IP54



## Description

- Trademark: System Sensor®
- The waterflow detector WFD is designed to ring the alarm when water is flowing in a 2" to 8" pipe for WFD type and smaller for WFDT type. A time delay is field adjustable in order to avoid false alarms due to water flowing very shortly (factory pre set delay is 30 seconds)
- The delay mechanism is protected by a durable tamper resistant enclosure.
- Waterflow activation is simultaneously sent to the alarm panel and the local electric ring when those are correctly wired.



Models	DN (mm)	Pipe		Hole size (mm)	Dimension A (mm)	Weight (kg)
		Ø (mm)	Wall thickness (mm)			
WFD20EN	50	60.3	2.6-3.6	32	117.0	1.85
WFD25EN	65	76.1	2.6-3.6	32	117.0	1.85
WFD30-2EN	80	88.9	2.9-4.0	32	132.0	2.05
WFD40EN	100	114.3	3.2-4.5	51	172.0	2.36
WFD50N	125	139.7	-	51	200.0	2.77
WFD60EN	150	168.3	4.0-5.0	51	229.0	3.03
WFD80E	200	219.1	4.5-6.3	51	273.0	3.45
WFDTN			For small diameters - Threaded connection			

Supervisory products