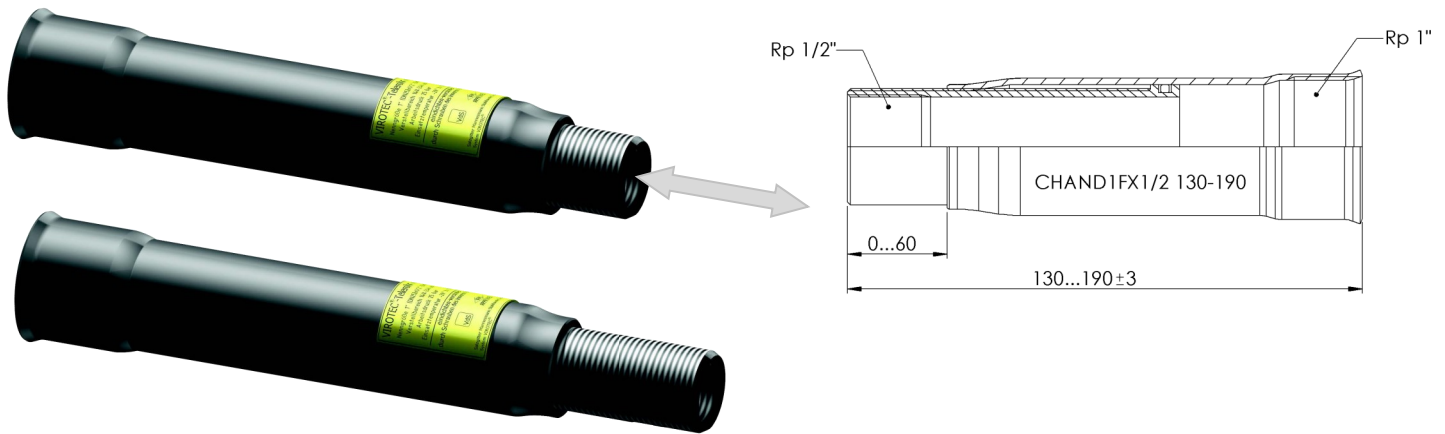


Telescope Pipe F/F



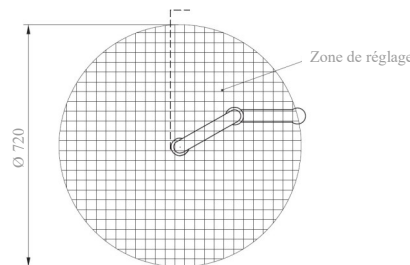
- ✓ Allow precise adjustment of the sprinkler heads on suspended ceilings
- ✓ The adjustment can be made after the complete installation of the pipe system
- ✓ Quick and easy installation, adjustment by screwing/unscrewing
- ✓ Working pressure: PN25
- ✓ Working temperature: -20°C à +110°C
- ✓ Finish coat : black painting



Reference	Description	Length (mm)		Adjustment (mm)	Connections		Weight (kg)
		mini	maxi		Inlet	Outlet	
CHAND1FX1/2 130-190	Telescope pipe	130	190	60	1" F	1/2" F	0.45
CHAND1FX1/2 VS102	Telescope pipe	170	270	100	1" F	1/2" F	0.55
	Telescope pipe				1" F	3/4" F	

Telescope pipe

Flexarm® FL1



Reference	Description	Material	Operating Pressure	Connexions	
				Inlet	Outlet
FLEXARM FL1	Swivel arm over pipe	Fonderie zingué	PN25	1" M	1" F