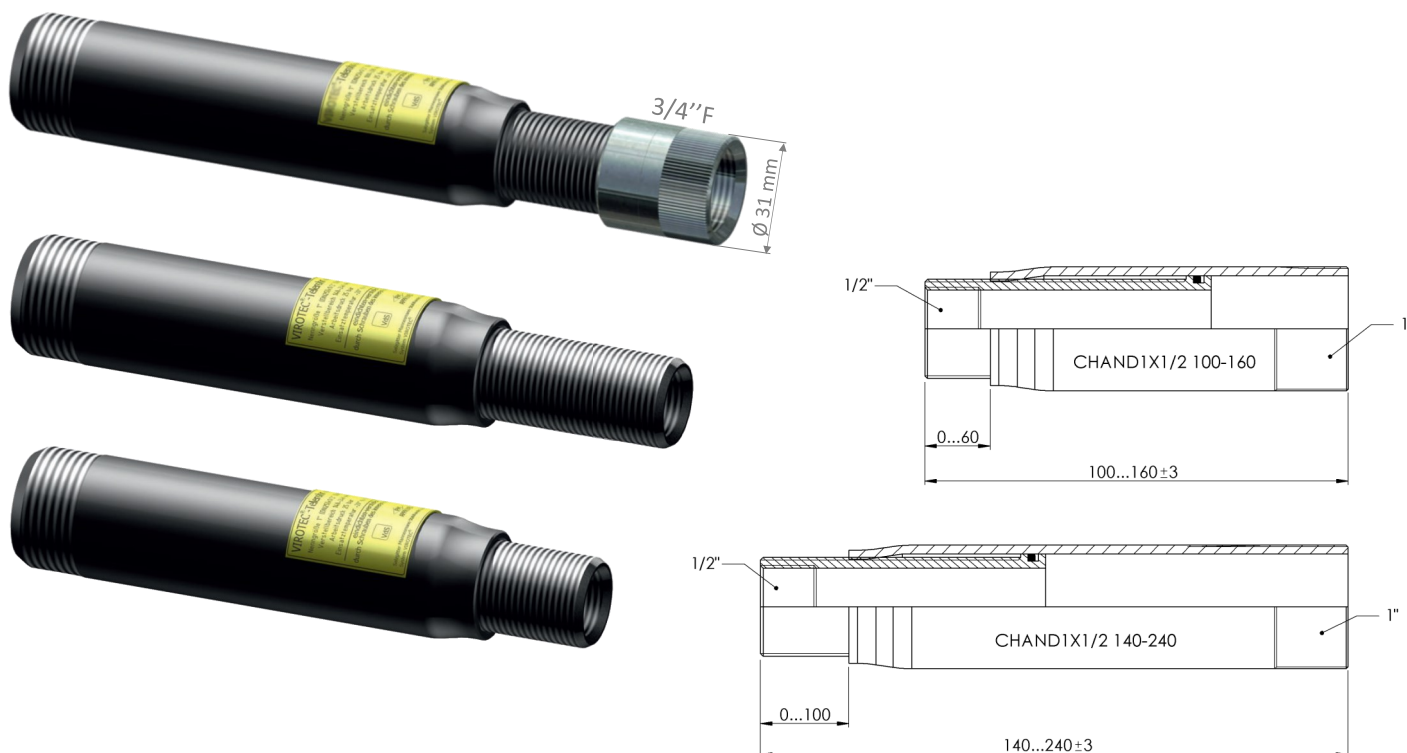


Telescope Pipe M/F



Telescope pipe

- ✓ Allow precise adjustment of the sprinkler heads on suspended ceilings
- ✓ The adjustment can be made after the complete installation of the pipe system
- ✓ Quick and easy installation, adjustment by screwing/unscrewing
- ✓ Working pressure: PN25
- ✓ Working temperature: -20°C à +110°C
- ✓ Finish coat : black painting



Reference	Description	Length (mm)		Adjustment (mm)	Connections		Weight (kg)
		mini	maxi		Inlet	Outlet	
CHVS0,1MF90-140	Telescope pipe	90	140	50	1" M	1/2" F	0.31
CHVS0,1MF100-160	Telescope pipe	100	160	60	1" M	1/2" F	0.4
CHVS0,2MF140-240	Telescope pipe	140	240	100	1" M	1/2" F	0.6
CHVS0,3MF220-320	Telescope pipe	220	320	100	1" M	1/2" F	0.7
CHVS0,1MF3/4140-200	Telescope pipe	140	200	60	1" M	3/4" F	0.4
CHVS0,23/4MF180-300	Telescope pipe	180	300	120	1" M	3/4" F	0.65