

Water motor gong APSAD / CE / FM



TECHNICAL CHARACTERISTICS

| | |
|------------------|-----------|
| Impeller housing | Aluminium |
| Impeler | Plastic |
| Gong | Aluminium |
| Screw | Steel |
| Inlet | 3/4" |
| Outlet | 1" |

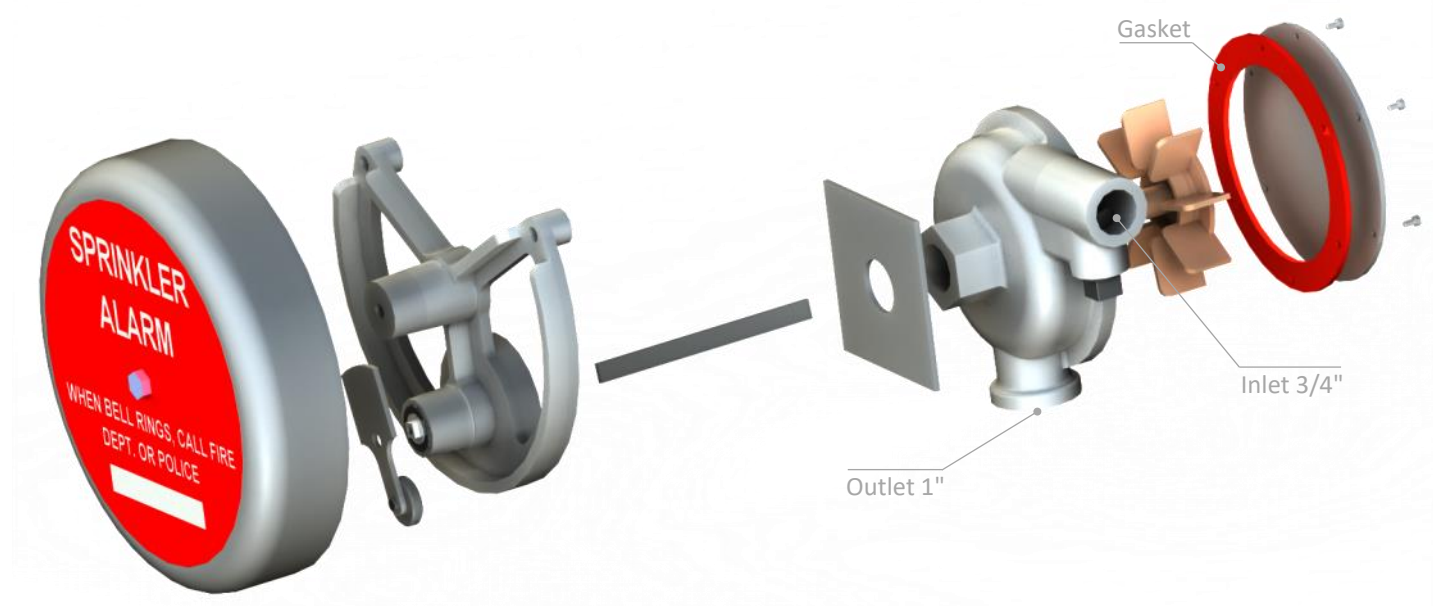


Alarm valve

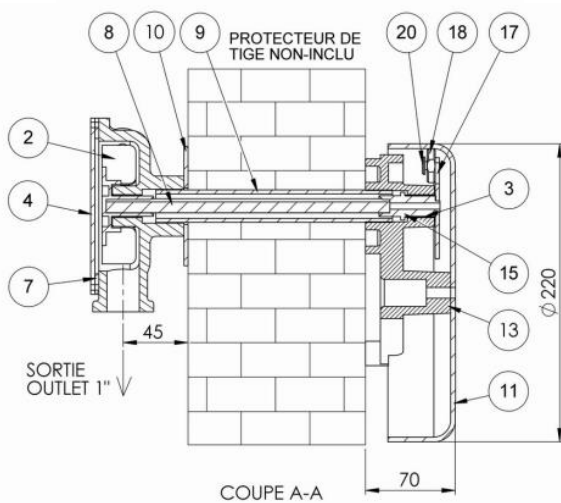
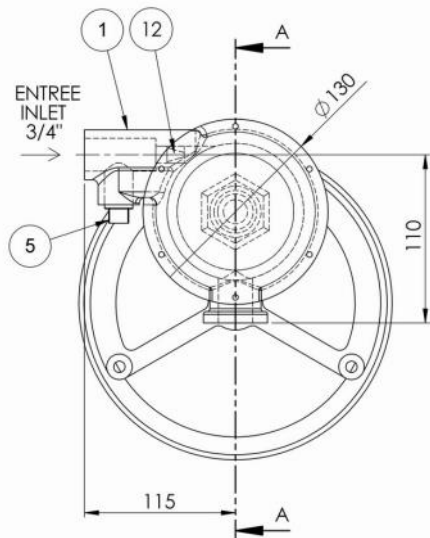
Description

The "E" Model Water Motor Gong is a self contained, water operated alarm that sounds continuously whenever the sprinkler system is activated. Designed with functional simplicity and sound engineering practice, the "E" Model Water Motor Gong is always ready to function in the event of fire

The lid of the body is dismountable to facilitate periodic maintenance actions.



Water motor gong CE / FM



| ITEM | DESCRIPTION | QUANTITY |
|------|-------------------------|----------|
| 1 | Impeller housing | 1 |
| 2 | Impeller | 1 |
| 3 | Bearing | 2 |
| 4 | Cover, Impeller housing | 1 |
| 5 | Clean out plug | 1 |
| 6 | Cover screw | 6 |
| 7 | Gasket, Cover | 1 |
| 8 | Driveshaft | 1 |
| 9 | Driveshaft housing | 1 |
| 10 | Spring washer | 1 |
| 11 | Gong | 1 |
| 12 | Bushing | 1 |
| 13 | Bracket | 1 |
| 14 | Bolt | 1 |
| 15 | Striker shaft | 1 |
| 16 | Striker bracket screw | 1 |
| 17 | Striker bracket | 1 |
| 18 | Striker | 1 |
| 19 | Striker washer | 1 |
| 20 | Shoulder screw | 1 |

Installation

1. Cut a hole in wall to accommodate 3/4" pipe.
2. Cut drive shaft housing (item 9) to appropriate length.
3. Attach driveshaft housing to bracket (item 13) without removing bolt (item 14), and position this assembly on outside wall with the driveshaft housing through the wall.
4. Remove the six cover screws (item 6), cover (item 4), cover gasket (item 7), and impeller (item 2) from impeller housing (item 1).
5. Insert driveshaft (item 8) through the driveshaft housing into engagement with the striker shaft (item 15).
6. Cut driveshaft even with the top flange of bearing (item 3) in the impeller housing.
7. Insert impeller and rotate by hand to assure proper alignment.
8. Attach cover and cover gasket to impeller housing with six cover screws.

Opération

When, in the case of a fire emergency, the sprinkler system is activated, flowing water enters the Water Motor Gong inlet and strikes the impeller. Rotating in a turbine fashion, the impeller transmits its torque to the striker assembly which sounds the alarm. The water, after it impinges on the impeller, flows through the drain outlet in the impeller housing.

Maintenance

1. The 3/4" strainer, located at the dry pipe valve or alarm valve in the alarm line, should be periodically cleaned to assure sufficient flow to the Water Motor Gong.
2. The clean out plug (item 5) should be periodically removed to avoid any accumulation of trash and scale that may have passed through the strainer.
3. The inside of the gong (item 11) should be checked periodically, for accumulation of foreign material.

Alarm valve