

Supervisory switch for Post indicator / butterfly valve

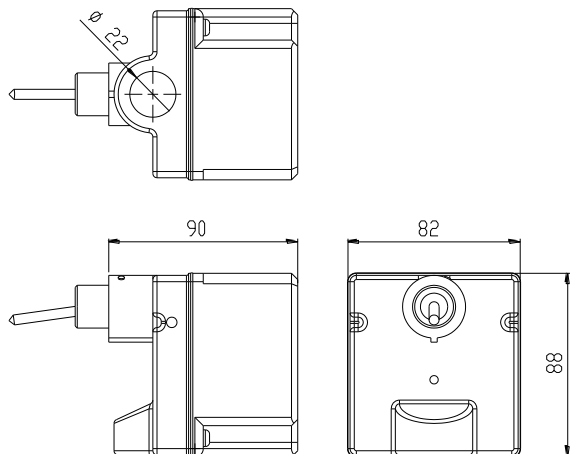


TECHNICAL CHARACTERISTICS

Approved	FM / UL / CE
Contact rating	2 set of SPDT 10.0 A to 125/250 V 2.5 A to 6/12/24 V
Maximum stem extension	5.4 mm
Mounting	1/2" NPT
Temperature	0°C to +49°C
Sizes	108x89x82 mm
Weight	0.9 Kg

Description

- Origin: System Sensor®
- The PIBV2 supervisory switch monitors the open position of post indicator and butterfly control valves.
- Switches shall be mounted so as not to interfere with the normal operation of the valve.
- It is made to operate within two revolutions of the valve control or when the valve flag has moved no more than one fifth of the distance from its normal position.
- Conduit entrance: one single side open for 1/2" conduit



Supervisory products