

# Supervisory pressure switches CE / UL / FM

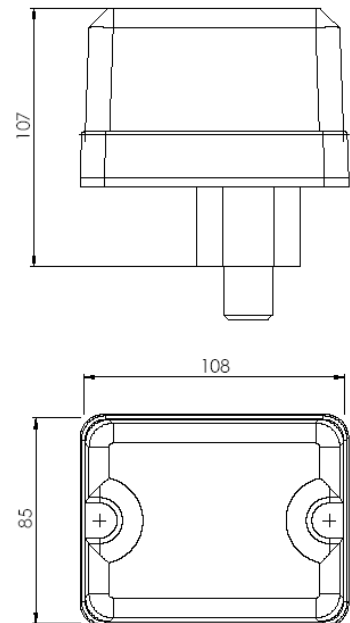


## TECHNICAL CHARACTERISTICS

|                                   |   |
|-----------------------------------|---|
| Model <b>EPS40-1</b>              | 1 set SPDT                                |
| Model <b>EPS40-2</b>              | 2 set SPDT                                |
| Contact                           | 10.0 A to 125/250 V<br>2.4 A to 6/12/24 V |
| Maximum operating range           | 17.2 bars                                 |
| Differential pressure             | 0.2 to 0.69 bars<br>0.41 to 6.89 bars     |
| Maximum adjustment pressure range | 0.69 à 6.89 bars                          |
| Pressure connexion                | 1/2" NPT mâle                             |
| Sizes                             | 130x840x108 mm                            |
| Operating temperature             | -40°C to +70°C                            |
| Weight                            | 0.54 Kg                                   |

## Description

- Origin: System Sensor®
- The EPS40 series switches are designed for use in dry pipe systems or pressure tanks and water pressure supplies of automatic water control valves.
- The EPS40.1 has a single SPDT switch while the EPS40.2 model contains two SPDT switches.
- Sensitivity adjustment wheel do not require special tools and can be set by hand.
- Reinforced diaphragm resists pressure spikes.
- All models are factory set for use in nominal 2.6 bars system.
- The EPS40-1 is factory set to respond at 2.07 bars at decreasing pressure.
- The EPS40.2 is factory set to respond at 3.45 bars on rising pressure and 2.07 bars at decreasing pressure.
- Rated UL4x, NEMA 4 for indoor or outdoor use.



Supervisory products